

PERFORMANCE
MADE
SMARTER

Product manual

2231

Trip amplifier



TEMPERATURE | I.S. INTERFACES | COMMUNICATION INTERFACES | MULTIFUNCTIONAL | ISOLATION | DISPLAY

No. 2231V106-UK
From serial no.: 191057001

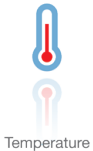
PR
electronics

6 Product Pillars

to meet your every need

Individually outstanding, unrivalled in combination

With our innovative, patented technologies, we make signal conditioning smarter and simpler. Our portfolio is composed of six product areas, where we offer a wide range of analog and digital devices covering over a thousand applications in industrial and factory automation. All our products comply with or surpass the highest industry standards, ensuring reliability in even the harshest of environments and have a 5-year warranty for greater peace of mind.



Our range of temperature transmitters and sensors provides the highest level of signal integrity from the measurement point to your control system. You can convert industrial process temperature signals to analog, bus or digital communications using a highly reliable point-to-point solution with a fast response time, automatic self-calibration, sensor error detection, low drift, and top EMC performance in any environment.



We deliver the safest signals by validating our products against the toughest safety standards. Through our commitment to innovation, we have made pioneering achievements in developing I.S. interfaces with SIL 2 Full Assessment that are both efficient and cost-effective. Our comprehensive range of analog and digital intrinsically safe isolation barriers offers multifunctional inputs and outputs, making PR an easy-to-implement site standard. Our backplanes further simplify large installations and provide seamless integration to standard DCS systems.



We provide inexpensive, easy-to-use, future-ready communication interfaces that can access your PR installed base of products. All the interfaces are detachable, have a built-in display for readout of process values and diagnostics, and can be configured via push-buttons. Product specific functionality includes communication via Modbus and Bluetooth and remote access using our PR Process Supervisor (PPS) application, available for iOS and Android.



Our unique range of single devices covering multiple applications is easily deployable as your site standard. Having one variant that applies to a broad range of applications can reduce your installation time and training, and greatly simplify spare parts management at your facilities. Our devices are designed for long-term signal accuracy, low power consumption, immunity to electrical noise and simple programming.



Our compact, fast, high-quality 6 mm isolators are based on microprocessor technology to provide exceptional performance and EMC-immunity for dedicated applications at a very low total cost of ownership. They can be stacked both vertically and horizontally with no air gap separation between units required.



Our display range is characterized by its flexibility and stability. The devices meet nearly every demand for display readout of process signals and have universal input and power supply capabilities. They provide a real-time measurement of your process value no matter the industry and are engineered to provide a user-friendly and reliable relay of information, even in demanding environments.

Trip amplifier

2231

Table of contents

Warning	4
Symbol identification	4
Safety instructions	5
How to dismantle system 2200	6
Application	7
Technical characteristics	7
Input	7
Functions	7
Programming	7
Display	7
Electrical specifications	8
Order	10
Block diagram	10
Hardware programming	11
Routing diagram	12
Programming / operating the function keys	13
Description of functions (selection of application)	15
Document history	17

Warning



GENERAL

This device is designed for connection to hazardous electric voltages. Ignoring this warning can result in severe personal injury or mechanical damage. To avoid the risk of electric shock and fire, the safety instructions of this manual must be observed and the guidelines followed. The specifications must not be exceeded, and the device must only be applied as described in the following. Prior to the commissioning of the device, this manual must be examined carefully. Only qualified personnel (technicians) should install this device. If the equipment is used in a manner not specified by the manufacturer, the protection provided by the equipment may be impaired.

Warning



**HAZARD-
OUS
VOLTAGE**

Until the device is fixed, do not connect hazardous voltages to the device. The following operations should only be carried out on a disconnected device and under ESD-safe conditions:

- Dismantlement of the device for setting of DIP switches and jumpers.
- General mounting, wire connection and disconnection.
- Troubleshooting the device.



Repair of the device and replacement of circuit breakers must be done by PR electronics A/S only.

Warning



**INSTAL-
LATION**

To keep the safety distances, devices with two built-in relays must not be connected to both hazardous and non-hazardous voltages on the same device's relay contacts. SYSTEM 2200 must be mounted in socket type S3B Releco (order no 7023). If the device is used with a current transformer, this must be internally protected against disconnection or mounted with an alternative external measuring shunt.

Symbol identification



Triangle with an exclamation mark: Read the manual before installation and commissioning of the device in order to avoid incidents that could lead to personal injury or mechanical damage. Warning / demand. Potentially lethal situations.



The CE mark proves the compliance of the device with the essential requirements of the EU directives.



The double insulation symbol shows that the device is protected by double or reinforced insulation.

Safety instructions

Definitions

Hazardous voltages have been defined as the ranges: 75 to 1500 Volt DC, and 50 to 1000 Volt AC.

Technicians are qualified persons educated or trained to mount, operate, and also trouble-shoot technically correct and in accordance with safety regulations.

Operators, being familiar with the contents of this manual, adjust and operate the knobs or potentiometers during normal operation.

Receipt and unpacking

Unpack the device without damaging it and check whether the device type corresponds to the one ordered. The packing should always follow the device until this has been permanently mounted.

Environment

Avoid direct sun light, dust, high temperatures, mechanical vibrations and shock, and rain and heavy moisture. If necessary, heating in excess of the stated limits for ambient temperatures should be avoided by way of ventilation.

The device must be installed in pollution degree 2 or better.

The device is designed to be safe up to an altitude of 2 000 m.

The device is designed for indoor use.

Mounting

Only technicians, who are familiar with the technical terms, warnings, and instructions in the manual and who are able to follow these, should connect the device. Should there be any doubt as to the correct handling of the device, please contact your local distributor or, alternatively,

PR electronics A/S
www.prelectronics.com

Mounting and connection of the device should comply with national legislation for mounting of electric materials, i.e. wire cross section, protective fuse, and location.

Descriptions of input / output and supply connections are shown in the block diagram and side label.

The following apply to fixed hazardous voltages-connected devices:

The max. size of the protective fuse is 10 A and, together with a power switch, it should be easily accessible and close to the device. The power switch should be marked with a label telling it will switch off the voltage to the device.

Year of manufacture can be taken from the first two digits in the serial number.

Calibration and adjustment

During calibration and adjustment, the measuring and connection of external voltages must be carried out according to the specifications of this manual. The technician must use tools and instruments that are safe to use.

Normal operation

Operators are only allowed to adjust and operate devices that are safely fixed in panels, etc., thus avoiding the danger of personal injury and damage. This means there is no electrical shock hazard, and the device is easily accessible.

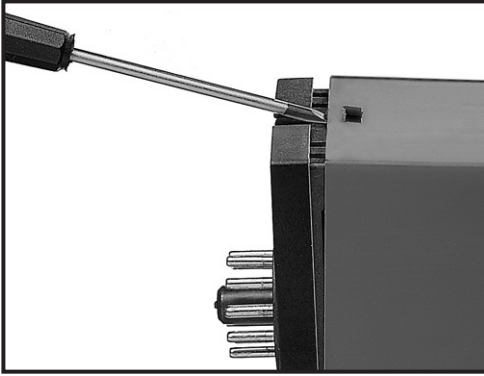
Cleaning

When disconnected, the device may be cleaned with a cloth moistened with distilled water.

Liability

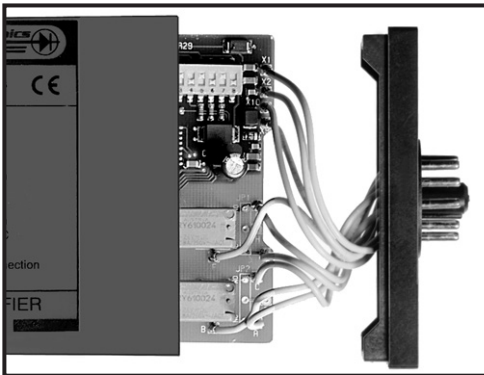
To the extent the instructions in this manual are not strictly observed, the customer cannot advance a demand against PR electronics A/S that would otherwise exist according to the concluded sales agreement.

How to dismantle system 2200



Picture 1:

The back panel of the module is detached from the housing by way of a screwdriver.



Picture 2:

After this, the back panel can be pulled out together with the PCB, but please notice the position of the PCB as there is a number of different positions in the house. Do not pull the wires unnecessarily, instead pull the PCB.

Switches and jumpers can now be moved.

When assembling the back plate and housing, please make sure no wires are stuck.

Trip amplifier 2231

- AC/DC trip amplifier
- 2 adjustable alarm limits
- Galvanically isolated 3.75 kVAC
- Front programmable
- 3-digit LED display
- 24 VDC or universal supply

Application

Alarm detector in connection with measurement of AC/DC current or voltage signals. The unit is used where accurate setpoint setting and different alarm functions are required.

The unit can be used as a single or dual trip amplifier.

Alarm detector can be installed in PELV and SELV circuits.

Technical characteristics

The unit is microprocessor-based, which allows a very accurate setting of process parameters. Each unit is supplied with basic calibration data, which eliminate the tolerances in the component data. This means that the input can be programmed to the requested signal range without re-adjustment.

Measurement ranges less than the min. measurement range of 0.5 V down to 10 mV may be entered, though this will affect the resolution and the response time. Please note that the electric specifications of the device are only kept as long as the stated min. measurement ranges and max. zero offsets are not exceeded.

Input

Standard DC current signals in the range 0...20 mA.

The current signal is detected by a 50 Ω shunt, which is manually connected through an internal jumper.

DC voltage signals in the range 0...250 VDC.

By measurement of AC current signals up to 1 A from a current transformer or current clamp a 1 Ω / 2 W input shunt is used.

True RMS measurement of AC voltage signals in the range 0...250 VRMS, with a crest factor < 5.

Functions

The front-operated push buttons are used for programming of the different standard functions.

Single or dual trip amplifier can be selected. Dual trip amplifier with relay 2 as pre-setpoint, single or dual trip amplifier with hysteresis in each relay, which is set as setlow or sethigh and dual trip amplifier with hold on relay 2 until relay 1 is activated. Make or break function can be selected by an internal jumper.

Programming

The front keys are used for selection of function and for setting all other parameters like setpoint, reset, active relay for increasing or decreasing signal, delay, and input signal.

The arrow keys are used as hotkeys if a quick change of setpoint is required. If the setpoint is changed, the resetpoint follows, so the selected hysteresis is conserved. A password can prevent access for changing parameters.

Display

During normal operation the 3-digit display shows the input signal in %. All programmed parameters can be shown by using the front-operated push buttons (see the routing diagram). A stack function can be selected to increase the updates of the output and to decrease any jumps while still keeping the set averaging period.

Electrical specifications

Environmental conditions

Operating temperature	-20 to +60°C
Calibration temperature.	20...28°C
Relative air humidity	< 95% RH (non-cond.)
Protection degree	IP50

Mechanical specifications

Dimensions (HxWxD) (D is excl. pins)	80.5 x 35.5 x 84.5 mm
Weight 2231 D / 2231 P	125 g / 175 g
Vibration.	IEC 60068-2-6 : 2007
2...13.2 Hz	±1 mm
13.2...100 Hz.	±0.7 g

Common specifications

Supply voltage, DC.	19.2...28.8 VDC
Supply voltage, AC and DC	21.6...253 VAC, 50...60 Hz or 19.2...300 VDC
Internal consumption, 2231D	1.5 W
Internal consumption, 2231P	2 W
Isolation voltage, test / operation.	3.75 kVAC / 250 VAC
PELV/SELV.	IEC 61140
Signal dynamics, input	16 bit
Response time, programmable, DC / AC	0.25 / 0.75...60 s
Temperature coefficient:	
DC signals.	< ±0.01% of span /°C
AC signals.	< ±0.02% of span /°C
Linearity error:	
DC signals	< ±0.1% of span
AC sine-wave signals	< ±0.35% of span 50...1000 Hz
Additional linearity error, AC signals:	
Crest factor 1 - 3.	±0.7% of span
Crest factor 5.	±2.5% of span
Effect of supply voltage change.	< ±0.002% of span /%V
EMC immunity influence	< ±0.5%

Electrical specifications - INPUT

DC current input

Measurement range	0...20 mA
Min. measurement range (span)	10 mA
Max. offset	50% of selected max. value
Input resistance	50 Ω
Updating time	100 ms

AC current input

Measurement range	0...1 ARMS
Min. measurement range (span)	0.5 ARMS
Max. offset	50% of selected max. value
Input resistance	1 Ω / 2 W
Updating time	100 ms

Voltage input

DC voltage input

Measurement range	0...250 VDC
Min. measurement range (span)	0.5 VDC
Max. offset	50% of selected max. value
Input resistance	nom. 5 MΩ
Updating time	100 ms

AC voltage input

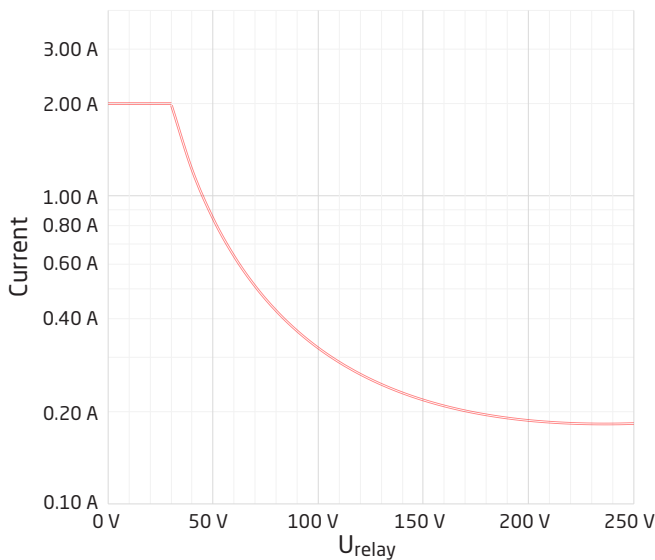
Measurement range	0...250 VRMS
Min. measurement range (span)	0.5 VRMS
Max. offset	50% of selected max. value
Input resistance	Nom. 5 M Ω
Updating time	100 ms

Electrical specifications - OUTPUT

Relay outputs

Setpoint setting	0...99.9% of span
Hysteresis.	0...99.9% of span
Updating time	100 ms
Delay.	0.0...99.9 s
Max. voltage	250 VAC / VDC
Max. AC current.	2 A
Max. AC power	500 VA
Max. DC current, resistive load:	
@ $U_{\text{relay}} \leq 30$ VDC	2 ADC
@ $U_{\text{relay}} > 30$ VDC.	$[1380 \times U_{\text{relay}}^{-2} \times 1.0085^{U_{\text{relay}}}]$ ADC

Graphic depiction of $[1380 \times U_{\text{relay}}^{-2} \times 1.0085^{U_{\text{relay}}}]$:



Approvals

DNV, Ships & Offshore.	TAA0000101
--------------------------------	------------

Observed authority requirements

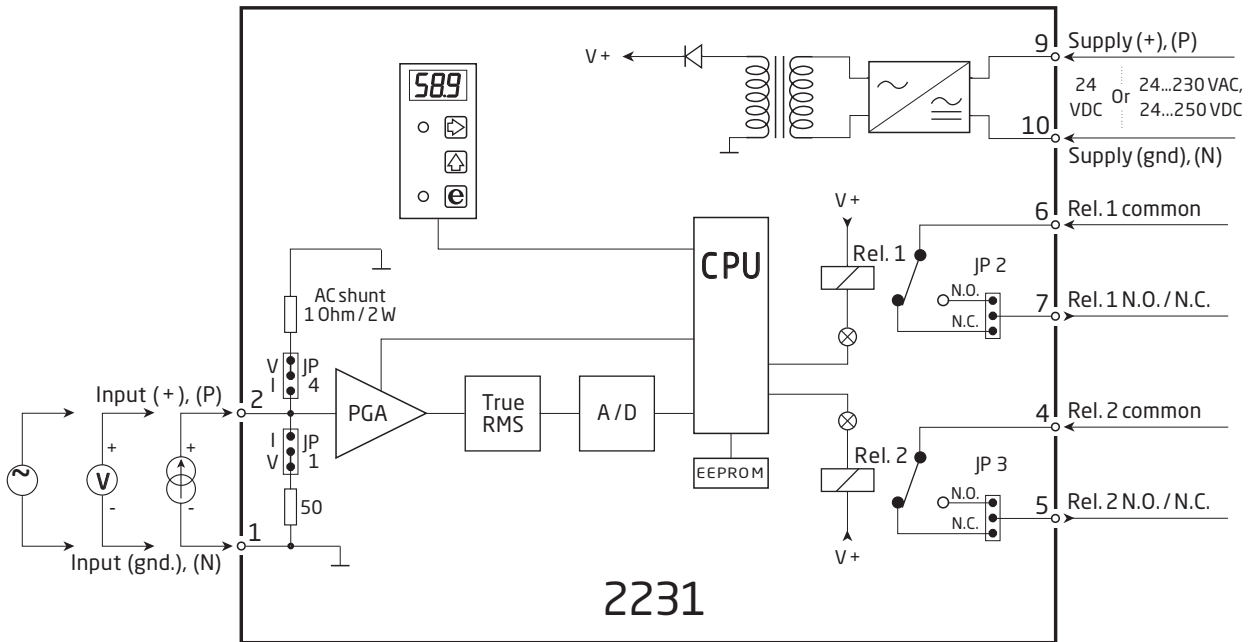
EMC.	2014/30/EU
LVD.	2014/35/EU
RoHS.	2011/65/EU
EAC.	TR-CU 020/2011

Of span = Of the presently selected range

Order

Type	Supply
2231	24 VDC :D
	24...230 VAC & :P
	24...250 VDC

Block diagram



Hardware programming

Input:

Input	JP1	JP4
0...20 mADC	I	V
0...1 ARMS	I	I
0...250 VDC	V	V
0...250 VRMS	V	V

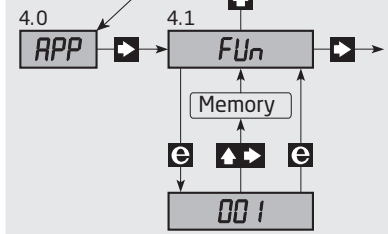
Output:

Relay		JP position
Relay 1	normally open	JP 2 N.O.
Relay 1	normally closed	JP 2 N.C.
Relay 2	normally open	JP 3 N.O.
Relay 2	normally closed	JP 3 N.C.

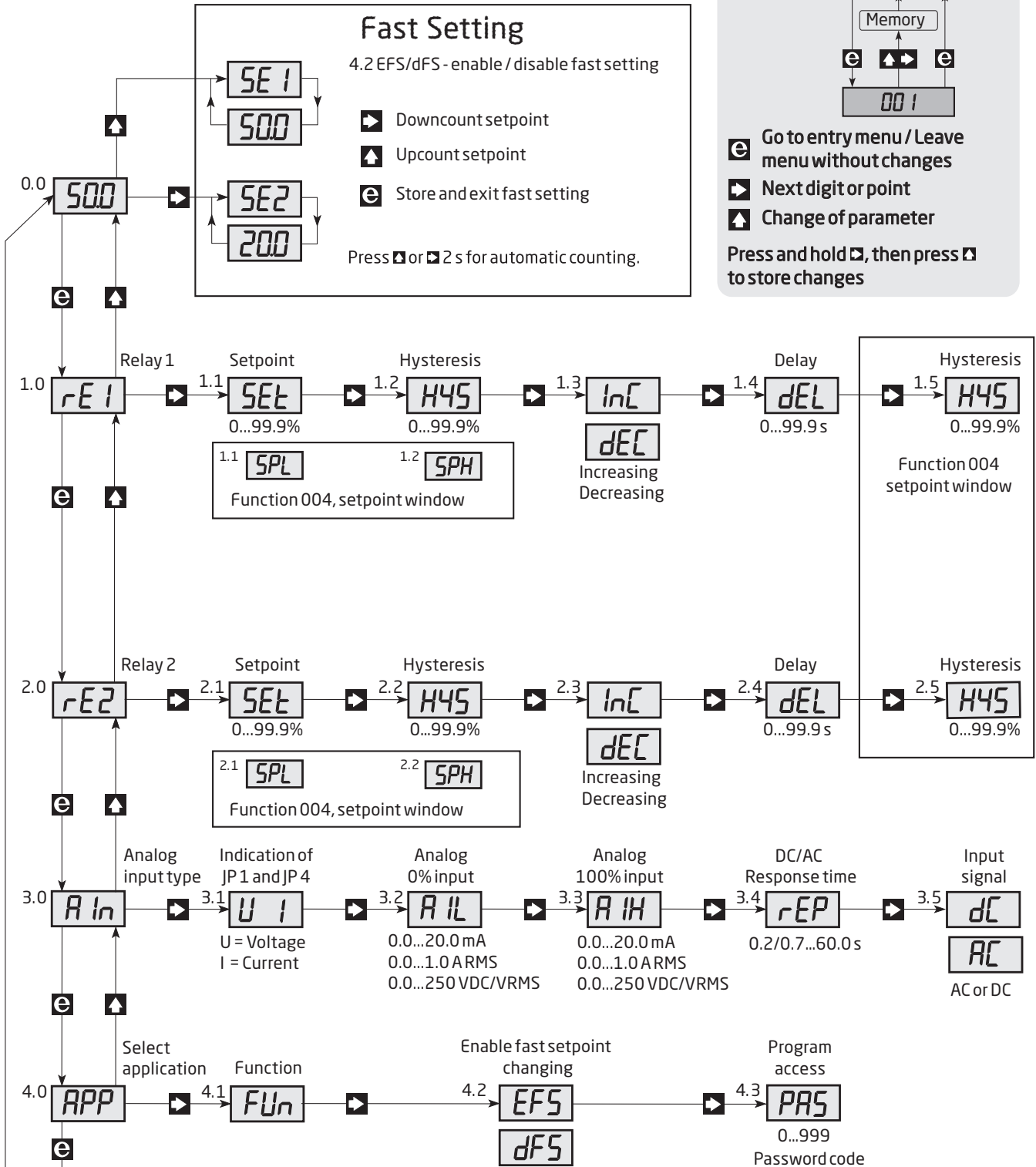
Routing diagram

If no buttons are pressed for a period of 2 minutes, display returns to stage 0.0

Programming



- e** Go to entry menu / Leave menu without changes
 - ▶** Next digit or point
 - ▲** Change of parameter
- Press and hold **▶**, then press **▶** to store changes



- 001 = Single setpoint
- 002 = Double setpoint
- 003 = Pre-setpoint
- 004 = Setpoint window
 - stage 1.5 and 2.5 active
 - menutext 1.1, 1.2, 2.1 and 2.2 are different
- 005 = Hold

040 = enable change in all stages
 - - - = disable change

Programming / operating the function keys

Documentation for routing diagram

The programming is menu-controlled. The main menus are numbered in level 0 (x.0), and the submenus are numbered in level 1 (x.1 to x.5). Each submenu has an accompanying entry menu. The menus are structured in such a way that the menus most frequently used are closer to the default menu 0.0. Please note that programming is only possible when submenu 4.3 PAS has the value 040.

Main, sub-, and entry menus are selected by the 3 function keys \leftarrow , \rightarrow and \square as outlined in the routing diagram.

Activating \square in the submenus will display the current value of the entry and parameter selection menus.

In entry menus, the digit that can be changed will flash.

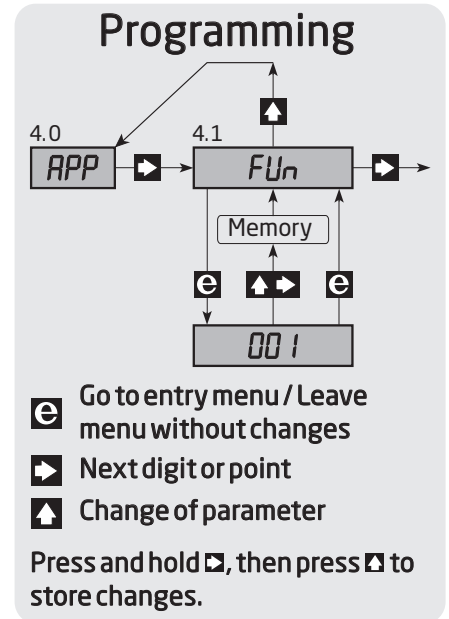
Active digit position is shifted by the \leftarrow key, and the value is changed by the \rightarrow key.

When the decimal point flashes, its position can be changed by the \rightarrow key.

In entry menus with fixed parameters, you switch between the parameters by the \square key.

Save by first activating \square and then \rightarrow simultaneously.

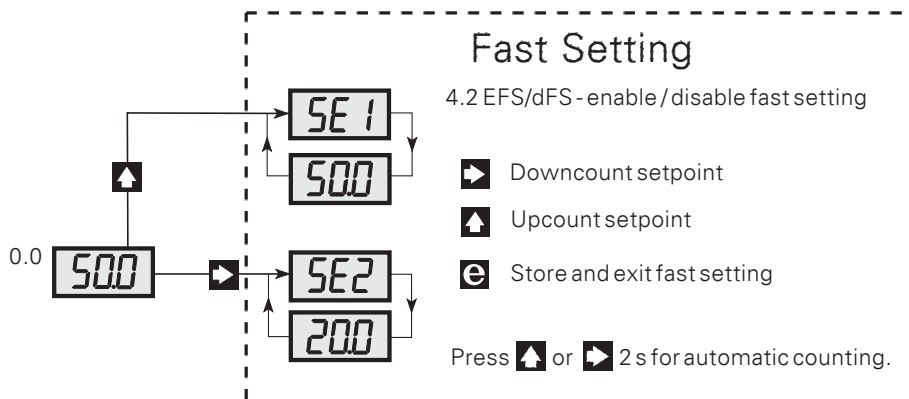
To return to the previous menu without changing the parameters, activate \square .



0.0 Default - the input signal is displayed in %

The display returns to default at power ON, or if no keys have been activated for a period of 2 minutes.

When menu 4.2 has been selected, EFS - Enable Fast SETTING, fast setpoint change is possible by activating the Fast Setting function. In this menu, the function keys have a special feature as \uparrow increases the setpoint and \leftarrow decreases the setpoint from the value it had when activated. Activating for more than 2 s automatically activates the increment / decrement function. The setpoint value is displayed in % of the input signal. \square stores the displayed setpoint value.



Begin by selecting the function for the device in menu 4.1

1.0 rE1 - Setting of parameters for relay 1

1.1 SEt / SPL - Setting of relay 1 setpoint

Possible selections are 0...99.9%.

The setpoint is set in % of the input signal. When the selected function in menu 4.1 = {004 = Setpoint window}, the low window value SPL is set in this menu. When the selected function in menu 4.1 = {005 = Hold}, the value resetting the hold function of relay 2 is set.

1.2 HYS / SPH - Setting of relay 1 hysteresis

Possible selections are 0...99.9%.

The hysteresis is set in % of the input signal. The hysteresis is the difference between the setpoint and reset values. When the selected function in menu 4.1 = {004 = Setpoint window}, the upper window value SPH is set in this menu.

1.3 InC / dEC - Setting of active relay 1 for increasing / decreasing input signal

Possible selections are InC or dEC.

If InC is selected, relay 1 will be activated when the input value is higher than the setpoint and deactivated again, when the input value is lower than the setpoint minus the hysteresis. If dEC is selected, relay 1 will be activated when the input value is lower than the setpoint and be deactivated again when the input value is higher than the setpoint plus the hysteresis.

When the selected function in menu 4.1 = {004 = Setpoint window}, InC will result in the activation of the relay, and dEC will result in the deactivation of the relay inside the window.

1.4 dEL - Setting of relay 1 time delay

Possible selections are 0...99.9 s.

The time delay is the period in which the input value must be present before the relay switches state.

1.5 HyS - Setting of hysteresis for setpoint window

Possible selections are 0...99.9%.

When the selected function in menu 4.1 = {004 = Setpoint window}, menu 1.5 is active. The hysteresis is set in % of the input signal and is placed outside the window.

A hysteresis less than 1% is typically an acceptable value.

2.0 rE2 - Setting of parameters for relay 2

When the selected function in menu 4.1 = {001 = Single setpoint}, all submenus (2.1 to 2.5) have no function.

2.1 SEt / SPL - Setting of relay 2 setpoint

Possible selections are 0...99.9%.

The setpoint is set in % of the input signal.

When the selected function in menu 4.1 = {003 = Pre-setpoint}, the percentage pre-setpoint value in relation to the relay 2 setpoint is set.

Menus 2.3 to 2.5 have no function. When the selected function in menu 4.1 = {004 = Setpoint window}, the low window value SPL is set in this menu.

When the selected function in menu 4.1 = {005 = Hold}, the value that activates the hold function on relay 2 is set.

2.2 HYS / SPH - Setting of relay 2 hysteresis

Possible selections are 0...99.9%.

The hysteresis is set in % of the input signal. The hysteresis is the difference between the setpoint and reset values. When the selected function in menu 4.1 = {004 = Setpoint window}, the upper window value SPH is set in this menu. When the selected function in menu 4.1 = {005 = Hold}, menu 2.2 has no function.

2.3 InC / dEC - Setting of active relay 2 for increasing / decreasing input signal

Possible selections are InC or dEC.

If InC is selected, relay 2 will be activated when the input value is higher than the setpoint and deactivated again when the input value is lower than the setpoint minus the hysteresis. If dEC is selected, relay 2 will be activated when the input value is lower than the setpoint and deactivated when the input value is higher than the setpoint plus the hysteresis.

When the selected function in menu 4.1 = {004 = Setpoint window}, InC will result in the activation of the relay, and dEC will result in the deactivation of the relay inside the window. When the selected function in menu 4.1 = {003 = Pre-setpoint or 004 = Hold}, menu 2.3 has no function.

2.4 dEL - Setting of relay 2 time delay

Possible selections are 0...99.9 s.

The time delay is the period in which the input value must be present before the relay switches state.

2.5 HyS - Setting of hysteresis for setpoint window

Possible selections are 0...99.9%.

When the selected function in menu 4.1 = {004 = Setpoint window}, menu 2.5 is active. The hysteresis is set in % of the input signal and is placed outside the window.

A hysteresis less than 1% is typically an acceptable value.

3.0 Aln - Setting of signal input

3.1 U / I - Display of input type

There are two alternative displays when setting JP1 on the PCB, U and I.

The input type is detected by JP1. When JP1 is installed in "I", "I" will be displayed, and the input signal range is set in current. When JP1 is installed in "U", "U" will be displayed, and the input signal range is set in voltage. Please note that both JP1 and JP4 must be installed in "I" in connection with the AC current input.

3.2 AIL - Setting of 0% input signal

Valid selections are DC current 0.0...20.0 mA, AC current 0.0...1.0 ARMS, or DC/AC voltage 0.0...250 VDC/VRMS.

See the hardware programming for correct jumper setting.

3.3 AIH - Setting of 100% input signal

Valid selections are DC current 0.0...20.0 mA, AC current 0.0...1.0 ARMS, or DC/AC voltage 0.0...250 VDC/VRMS.

See the hardware programming for correct jumper setting.

3.4 rEP - Setting of response time

Valid selections are 0.2...60.0 s.

The response time averages the input values acc. to an exponential function. If the set response time is less than the min. response time for the input type, then the min. response time is used.

3.5 dC - Setting of DC or AC signal input

Possible selections are DC or AC.

4.0 APP - Selection of application

4.1 FUn - Selection of function

Possible selections are:

001 = Single setpoint:

Single trip amplifier set in main menu 1.0 with setpoint within the range 0...99.9% of the input signal. The hysteresis is set in the range 0...99.9% of the input signal. The parameter selection determines whether the trip amplifier should be active for increasing (InC) or decreasing (dEC) input signal. The delay time is set in the range 0...99.9 s. Settings in main menu 2.0 rE2 are of no importance as relay 2 is disconnected.

002 = Dual setpoint:

Dual trip amplifier with setpoint on both relays within the range 0...99.9% of the input signal. The hysteresis is set in the range 0...99.9% of the input signal. The parameter selection determines whether the trip amplifiers should be active for increasing (InC) or decreasing (dEC) input signal. The time delay is set in the range 0...99.9 s. Relay 1 is set in main menu 1.0 rE1; relay 2 is set in main menu 2.0 rE2.

003 = Pre-setpoint:

Dual trip amplifier with setpoint on relay 1 within the range 0...99.9% of the input signal and a percentage pre-setpoint on relay 2. On relay 1, the hysteresis is set in the range 0...99.9% of the input signal. The parameter selection in menu 1.3 InC increasing / dEC decreasing input signal is disconnected, as the pre-setpoint function acts on an increasing (InC) input signal. The time delay is set in the range 0...99.9 s. The relay 2 pre-setpoint is entered in submenu 2.1 as the percentage value by which relay 2 is activated before relay 1, and in submenu 2.2 the percentage hysteresis of the pre-setpoint is entered. In submenus 2.1 and 2.2, settings of 5 and 0.5 respectively will mean that relay 2 is activated 5% earlier than relay 1 and that there will be a hysteresis of 0.5%. In main menu 2.0, the submenus 2.3 and 2.5 are disconnected.

004 = Setpoint window:

Dual trip amplifier with setpoint window on both relays acc. to your choice. The setpoint window is set with a low and an upper value on the input signal thus making the relays active / inactive within the range.

In submenus 1.1 / 2.1 the low percentage value of the input signal is set, and in submenus 1.2 / 2.2 the high percentage value of the input signal is set.

In submenus 1.3 / 2.3 InC increasing / dEC decreasing, the relay function is determined within the setpoint window. If InC is selected, the relays are active; if dEC is selected, the relays are inactive. The time delay is set in the range 0...99.9 s. In submenus 1.5 / 2.5, the hysteresis setting, which is placed outside the setpoint window, is set in % of the input signal.

005 = Hold function on relay 2:

Dual trip amplifier with hold on relay 2. When the input signal increases to the relay 2 setpoint, hold on relay 2 is activated. When the input signal decreases to the relay 1 setpoint, relay 2 is deactivated, this is why the relay 2 setpoint must be higher than the relay 1 setpoint.

The hold point is set in submenu 2.1; the reset point is set in submenu 1.1. In submenu 2.4, the time delay is set in the range 0...99.9 s.

In main menu 2.0, the submenus 2.2 and 2.3 are disconnected.

In main menu 1.0, the submenus 1.2 to 1.4 are still active, as relay 1, apart from determining the reset point on relay 2, can be used as a common trip amplifier.

4.2 EFS - Setting of access to fast setpoint change

Possible selections are EFS or dFS.

The parameters Enable Fast Setting (EFS) and Disable Fast Setting (dFS) determine the access to fast setpoint change.

4.3 PAS - Programming access code

Possible selections are 0...999.

When the password is 040, all menu items can be changed. When the password is <> 040, programming of all menu items is blocked, but reading of settings is possible.

Document history

The following list provides notes concerning revisions of this document.

Rev. ID	Date	Notes
105	2232	Relay data updated, graph with resistive loads inserted. UKCA added.
106	2425	UKCA discontinued.

We are near you, *all over the world*

Our trusted red boxes are supported wherever you are

All our devices are backed by expert service and a 5-year warranty. With each product you purchase, you receive personal technical support and guidance, day-to-day delivery, repair without charge within the warranty period and easily accessible documentation.

We are headquartered in Denmark, and have offices and authorized partners the world over. We are a local

business with a global reach. This means that we are always nearby and know your local markets well. We are committed to your satisfaction and provide **PERFORMANCE MADE SMARTER** all around the world.

For more information on our warranty program, or to meet with a sales representative in your region, visit prelectronics.com.

Benefit today from *PERFORMANCE MADE SMARTER*

PR electronics is the leading technology company specialized in making industrial process control safer, more reliable and more efficient. Since 1974, we have been dedicated to perfecting our core competence of innovating high precision technology with low power consumption. This dedication continues to set new standards for products communicating, monitoring and connecting our customers' process measurement points to their process control systems.

Our innovative, patented technologies are derived from our extensive R&D facilities and from having a great understanding of our customers' needs and processes. We are guided by principles of simplicity, focus, courage and excellence, enabling some of the world's greatest companies to achieve PERFORMANCE MADE SMARTER.