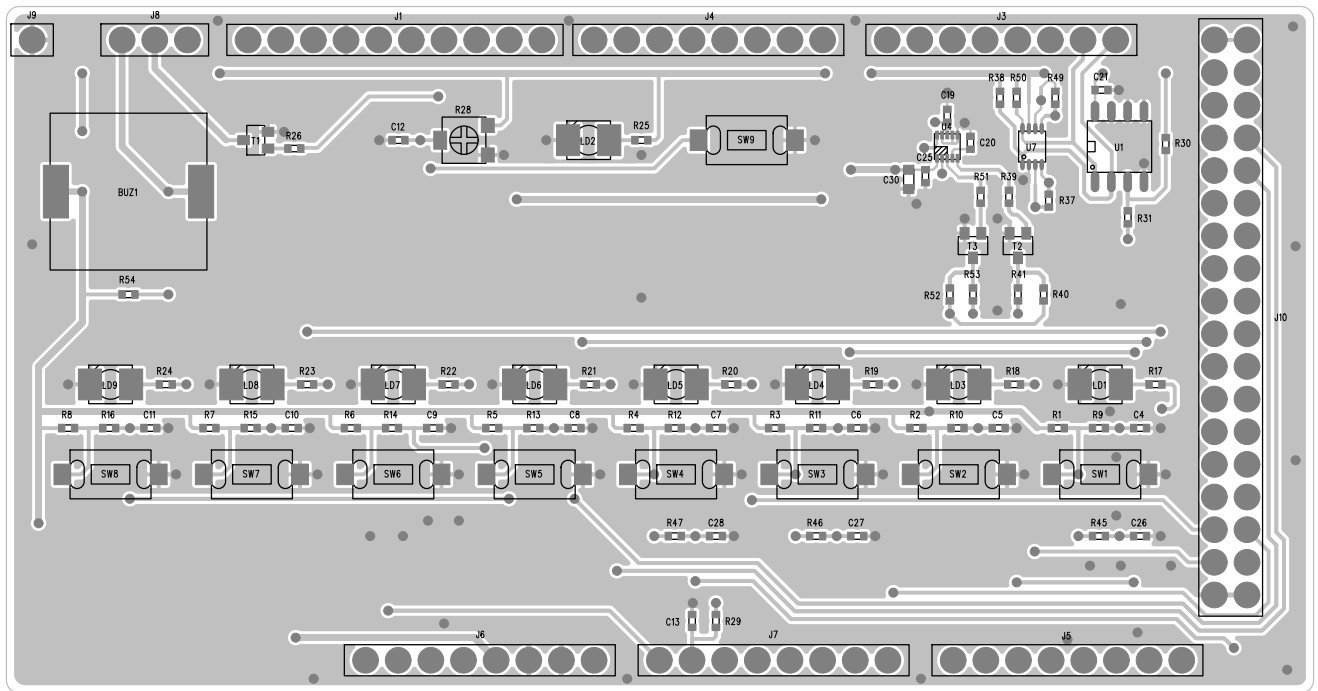


mm 10 20 30 40 50 60 70 80 90 100



Lerbakken 10  
DK-8410 Rønede  
Denmark

Drawing Name

5824-1-V1R0-LA1

Drawing Type

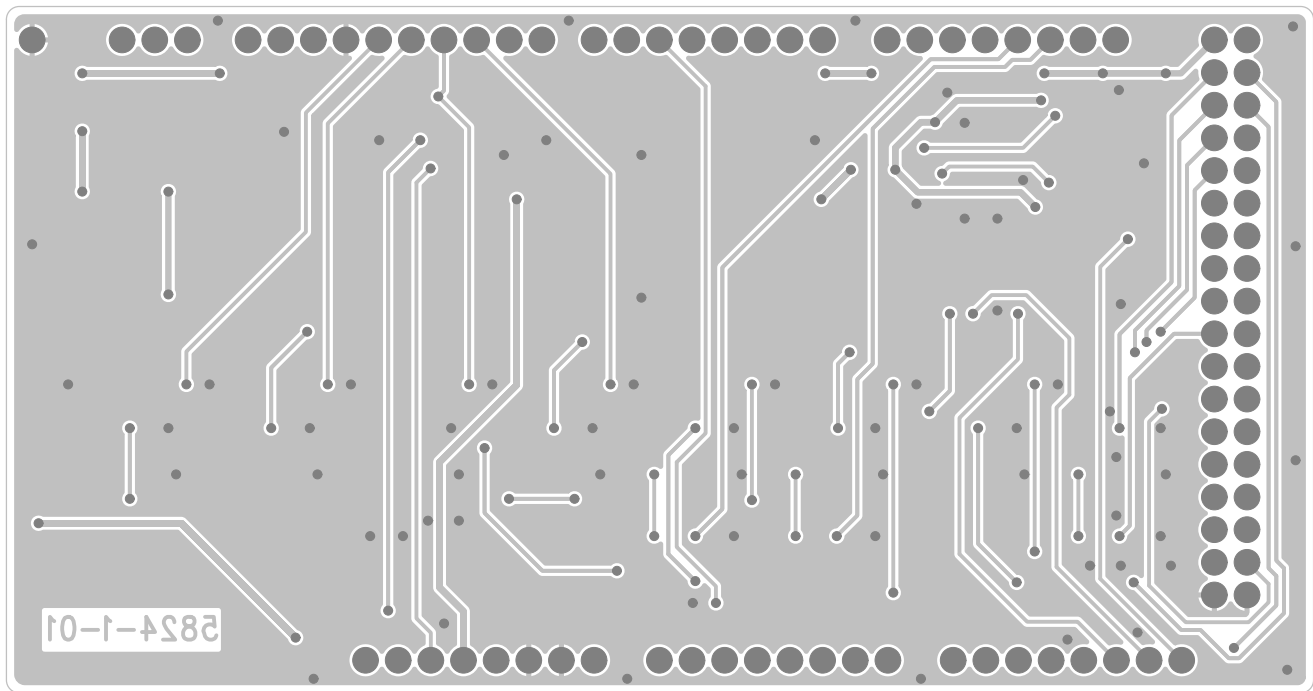
Layout on layer 1 of 2

Copyright PR electronics A/S. All rights reserved. Reproduction without the written permission of PR electronics A/S is strictly forbidden. Confidential and proprietary information is contained within and must be handled accordingly.

Version	Date	PCB	Schematic	Design	Responsible
Current	2015-08-02	5824-1-V1R0	5824-1-V1R0	GP	NWE
Previous	2015-07-30	5824-1-V0R1	5824-1-V0R1	GP	NWE

mm


10 20 30 40 50 60 70 80 90 100



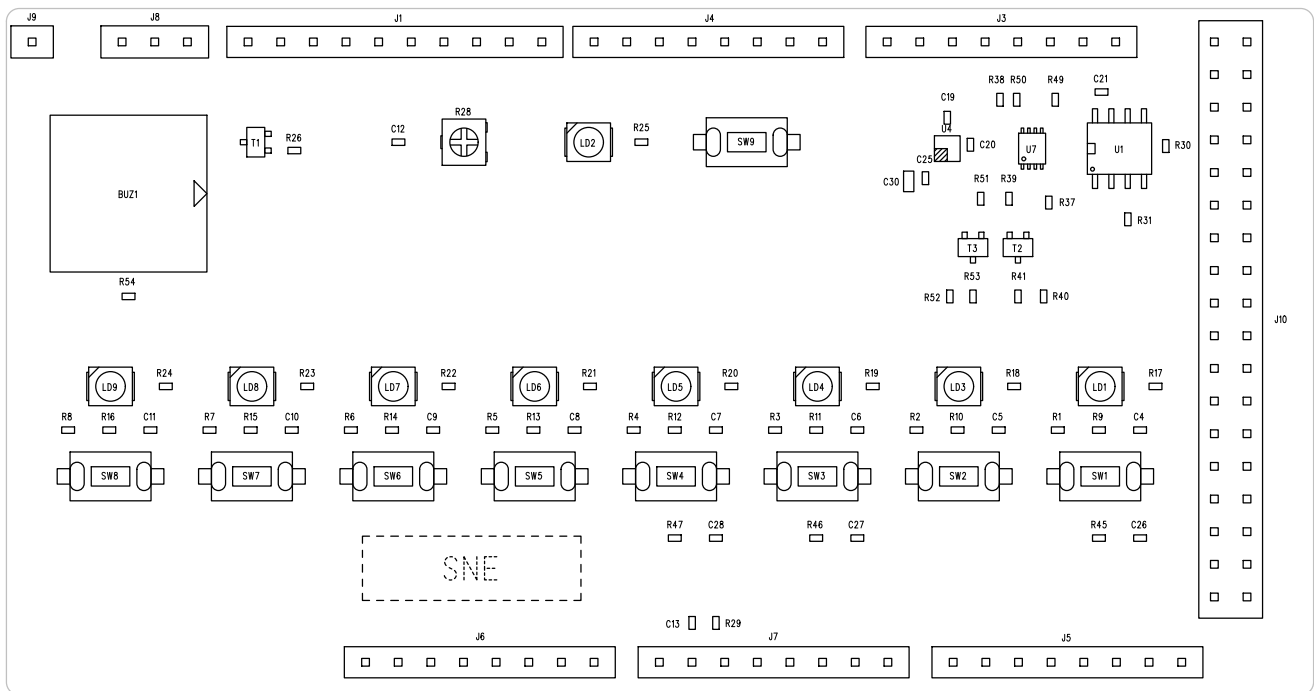
+

Version	Date	PCB	Schematic	Design	Responsible
Current	2015-08-02	5824-1-V1R0	5824-1-V1R0	GP	NWE
Previous	2015-07-30	5824-1-V0R1	5824-1-V0R1	GP	NWE

Copyright PR electronics A/S. All rights reserved. Reproduction without the written permission of PR electronics A/S is strictly forbidden. Confidential and proprietary information is contained within and must be handled accordingly.

 PR electronics Denmark DK-8410 Rønde Lerbakken 10	Drawing Name	5824-1-V1R0-LA2
	Drawing Type	Layout on layer 2 of 2

mm 10 20 30 40 50 60 70 80 90 100



Lerbakken 10  
DK-8410 Rønede  
Denmark

Drawing Name

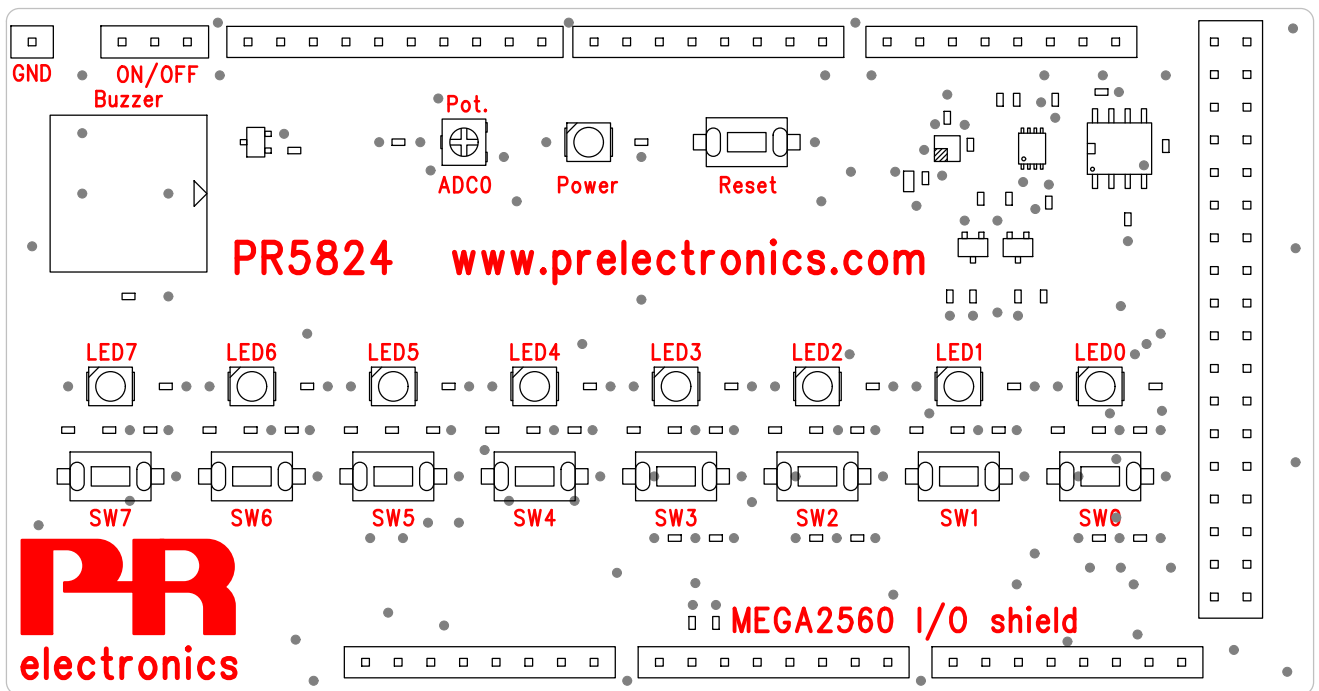
5824-1-V1R0-CPT

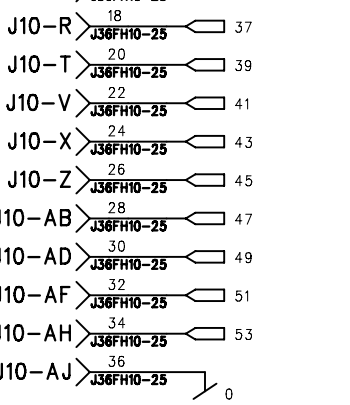
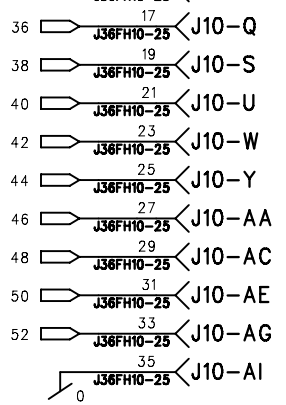
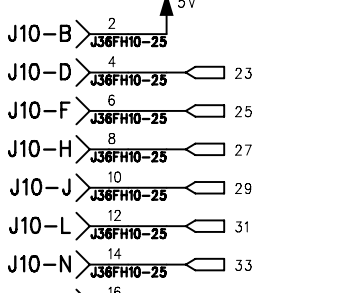
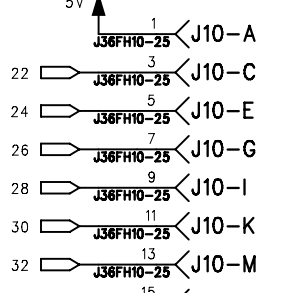
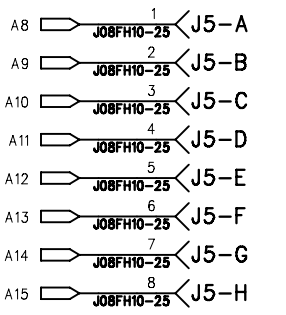
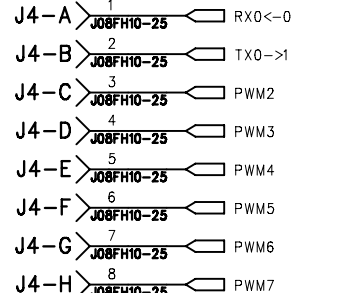
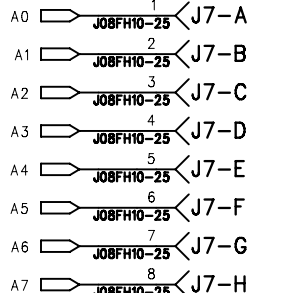
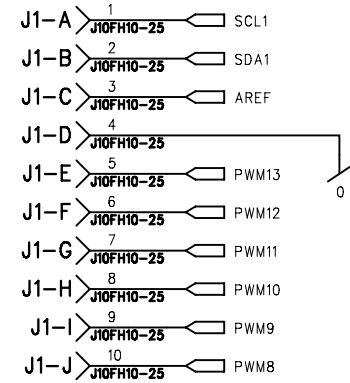
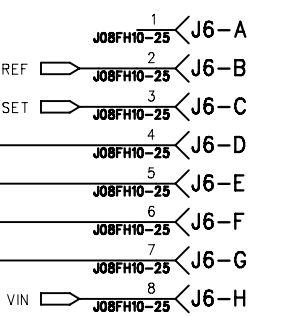
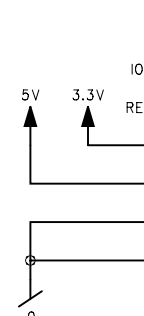
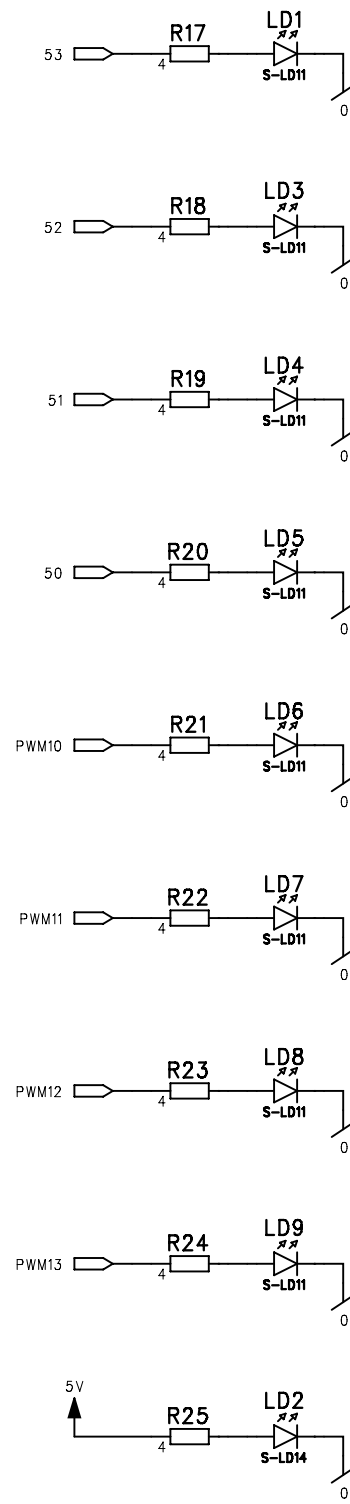
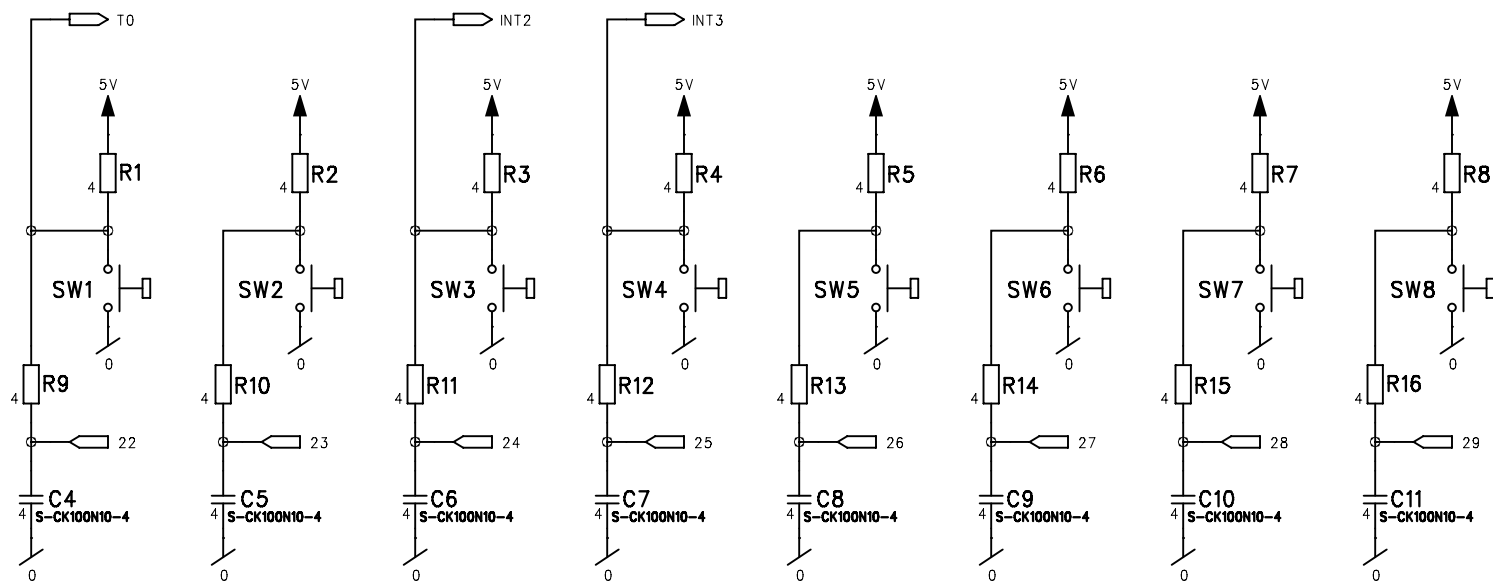
Drawing Type

Components on Top side (layer 1)

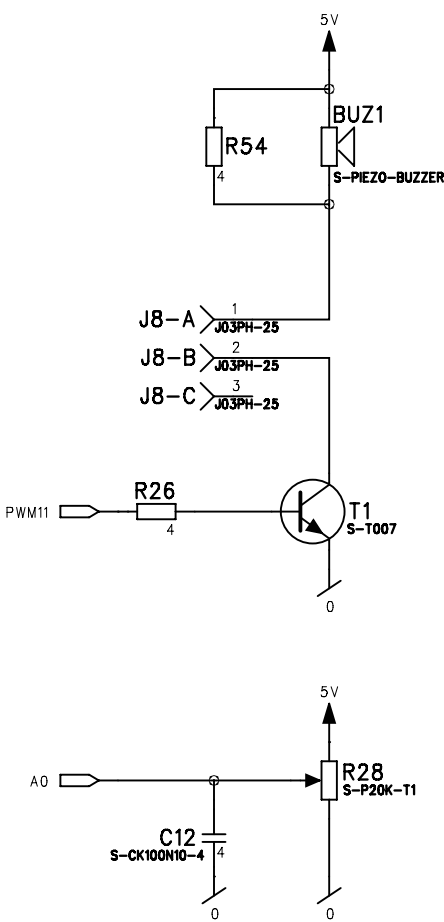
Copyright PR electronics A/S. All rights reserved. Reproduction without the written permission of PR electronics A/S is strictly forbidden. Confidential and proprietary information is contained within and must be handled accordingly.

Version	Date	PCB	Schematic	Design	Responsible
Current	2015-08-02	5824-1-V1R0	5824-1-V1R0	GP	NWE
Previous	2015-05-28	5824-1-V0R1	5824-1-V0R1	RC	NWE

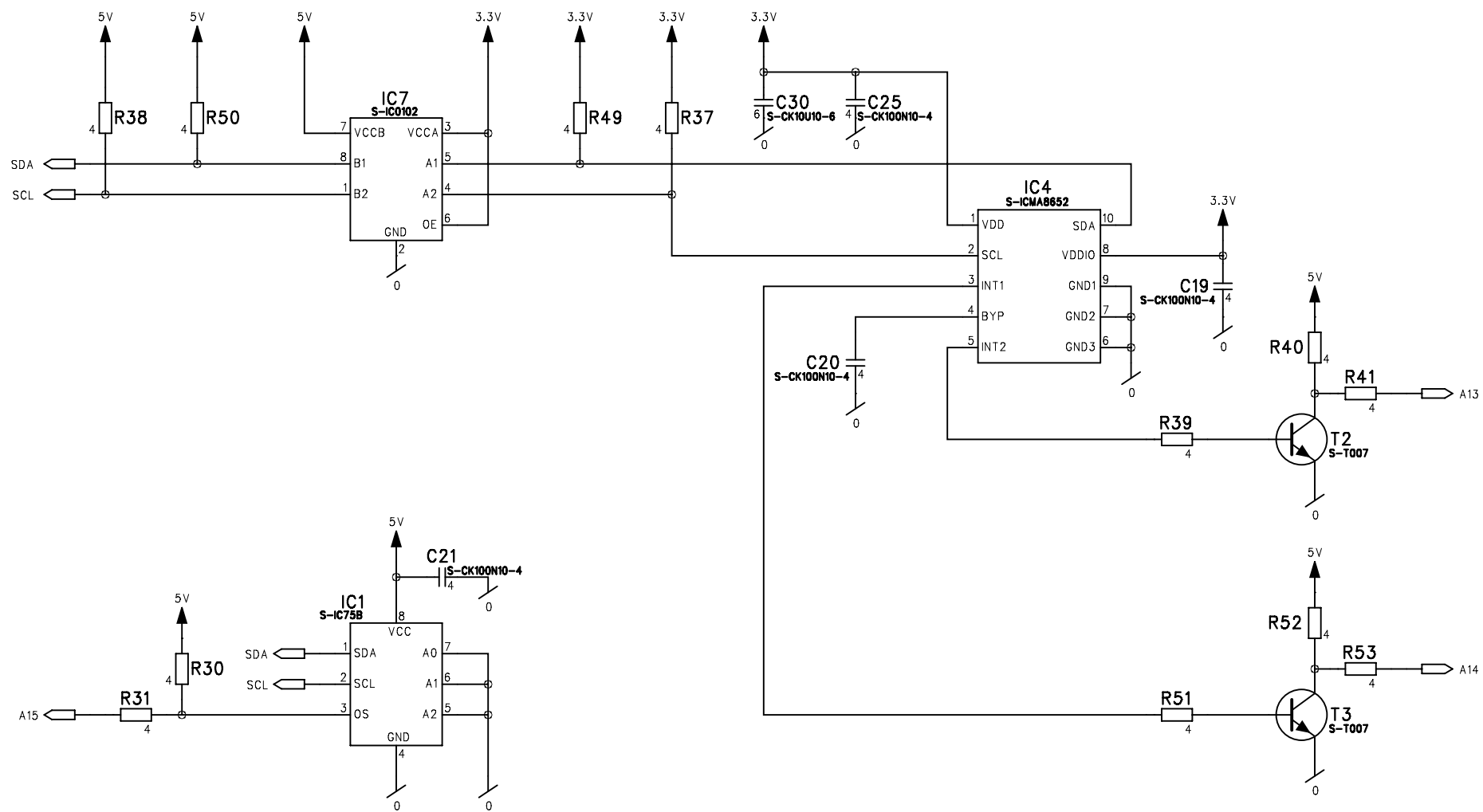




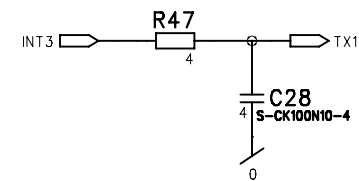
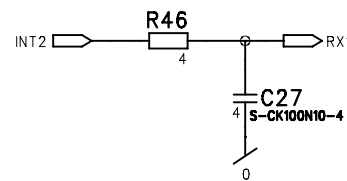
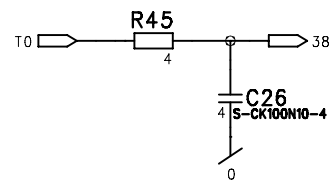
Symbol-table	
u	= Micro MELF
m	= Mini MELF
M	= MELF
4	= 0402 Chip
6	= 0603 Chip
8	= 0805 Chip
12	= 1206 Chip
1W	= 1W SMD
L	= Leaded



Version	Date	Schematic	PCB	Design	Responsible
Current	2015-08-04	5824-1-V1R0	5824-1-01	GP	BSK
Previous	-	-	-	-	-



Symbol-table	
u	= Micro MELF
m	= Mini MELF
M	= MELF
4	= 0402 Chip
6	= 0603 Chip
8	= 0805 Chip
12	= 1206 Chip
1W	= 1W SMD
L	= Leaded



Version	Date	Schematic	PCB	Design	Responsible
Current	2015-08-04	5824-1-V1R0	5824-1-01	GP	BSK
Previous	-	-	-	-	-