

# PR



## 9106B

HART<sup>®</sup> Transparent  
Repeater

No. 9106V101-UK

Product version: 9106-002



SIGNALS THE BEST

- DK** ▶ PR electronics A/S tilbyder et bredt program af analoge og digitale signalbehandlingsmoduler til industriel automation. Programmet består af Isolatorer, Displays, Ex-barrierer, Temperaturtransmittere, Universaltransmittere mfl. Vi har modulerne, du kan stole på i selv barske miljøer med elektrisk støj, vibrationer og temperaturudsving, og alle produkter opfylder de strengeste internationale standarder. Vores motto »Signals the Best« er indbegrebet af denne filosofi – og din garanti for kvalitet.
- UK** ▶ PR electronics A/S offers a wide range of analogue and digital signal conditioning modules for industrial automation. The product range includes Isolators, Displays, Ex Interfaces, Temperature Transmitters, and Universal Modules. You can trust our products in the most extreme environments with electrical noise, vibrations and temperature fluctuations, and all products comply with the most exacting international standards. »Signals the Best« is the epitome of our philosophy – and your guarantee for quality.
- FR** ▶ PR electronics A/S offre une large gamme de produits pour le traitement des signaux analogiques et numériques dans tous les domaines industriels. La gamme de produits s'étend des transmetteurs de température aux afficheurs, des isolateurs aux interfaces SI, jusqu'aux modules universels. Vous pouvez compter sur nos produits même dans les conditions d'utilisation sévères, p.ex. bruit électrique, vibrations et fluctuations de température. Tous nos produits sont conformes aux normes internationales les plus strictes. Notre devise »SIGNALS the BEST« c'est notre ligne de conduite - et pour vous l'assurance de la meilleure qualité.
- DE** ▶ PR electronics A/S verfügt über ein breites Produktprogramm an analogen und digitalen Signalverarbeitungsmodulen für die industrielle Automatisierung. Dieses Programm umfasst Displays, Temperaturtransmitter, Ex- und galvanische Signaltrenner, und Universalgeräte. Sie können unsere Geräte auch unter extremen Einsatzbedingungen wie elektrisches Rauschen, Erschütterungen und Temperaturschwingungen vertrauen, und alle Produkte von PR electronics werden in Übereinstimmung mit den strengsten internationalen Normen produziert. »Signals the Best« ist Ihre Garantie für Qualität!

# HART® TRANSPARENT REPEATER

## 9106B

### CONTENTS

Warning .....	2
Symbol identification.....	2
Safety instructions.....	2
How to demount system 9000.....	4
EC declaration of conformity .....	5
Technical characteristics .....	6
Applications.....	7
PR 4501 display / programming front.....	8
Visualisation in 4501 of hardware / software error .....	13
Connections .....	14
Block diagram .....	15
Signal error indications without display front.....	16
Configuration / operating the function keys .....	17
Routing diagram.....	19
Routing diagram, Advanced settings (ADV.SET) .....	20
Scrolling help texts in display line 3.....	21
Appendix .....	22
IECEX Installation Drawing .....	23
ATEX Installation Drawing .....	28
FM Installation Drawing.....	33
Safety Manual.....	38



## WARNING

The following operations should only be carried out on a disconnected device and under ESD-safe conditions:

- General mounting, connection and disconnection of wires.
- Troubleshooting the device.

**Repair of the device and replacement of circuit breakers must be done by PR electronics A/S only.**



## WARNING

Do not open the front plate of the device as this will cause damage to the connector for the display / programming front PR 4501. This device contains no DIP-switches or jumpers.

## SYMBOL IDENTIFICATION



**Triangle with an exclamation mark:** Read the manual before installation and commissioning of the device in order to avoid incidents that could lead to personal injury or mechanical damage.



**The CE mark** proves the compliance of the device with the essential requirements of the directives.



**The double insulation symbol** shows that the device is protected by double or reinforced insulation.



**Ex devices** have been approved according to the ATEX directive for use in connection with installations in explosive areas. See installation drawings in appendix.

## SAFETY INSTRUCTIONS

### DEFINITIONS

**Hazardous voltages** have been defined as the ranges: 75...1500 Volt DC, and 50...1000 Volt AC.

**Technicians** are qualified persons educated or trained to mount, operate, and also troubleshoot technically correct and in accordance with safety regulations.

**Operators**, being familiar with the contents of this manual, adjust and operate the knobs or potentiometers during normal operation.

## **RECEIPT AND UNPACKING**

Unpack the device without damaging it and check whether the device type corresponds to the one ordered. The packing should always follow the device until this has been permanently mounted.

## **ENVIRONMENT**

Avoid direct sunlight, dust, high temperatures, mechanical vibrations and shock, as well as rain and heavy moisture. If necessary, heating in excess of the stated limits for ambient temperatures should be avoided by way of ventilation.

The device must be installed in pollution degree 2 or better.

The device is designed to be safe at least under an altitude up to 2 000 m.

## **MOUNTING**

Only technicians who are familiar with the technical terms, warnings, and instructions in the manual and who are able to follow these should connect the device.

Should there be any doubt as to the correct handling of the device, please contact your local distributor or, alternatively,

**PR electronics A/S**  
**[www.prelectronics.com](http://www.prelectronics.com)**

The use of stranded wires is not permitted for mains wiring except when wires are fitted with cable ends.

Descriptions of input / output and supply connections are shown in the block diagram and on the side label.

The device is provided with field wiring terminals and shall be supplied from a Power Supply having double / reinforced insulation. A power switch shall be easily accessible and close to the device. The power switch shall be marked as the disconnecting unit for the device.

For installation on Power Rail 9400 the power is supplied by Power Control Unit 9410.

Year of manufacture can be taken from the first two digits in the serial number.

## **CALIBRATION AND ADJUSTMENT**

During calibration and adjustment, the measuring and connection of external voltages must be carried out according to the specifications of this manual. The technician must use tools and instruments that are safe to use.

## **NORMAL OPERATION**

Operators are only allowed to adjust and operate devices that are safely fixed in panels, etc., thus avoiding the danger of personal injury and damage. This means there is no electrical shock hazard, and the device is easily accessible.

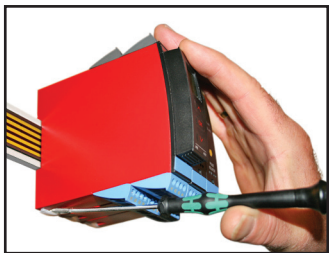
## **CLEANING**

When disconnected, the device may be cleaned with a cloth moistened with distilled water.

## **LIABILITY**

To the extent that the instructions in this manual are not strictly observed, the customer cannot advance a demand against PR electronics A/S that would otherwise exist according to the concluded sales agreement.

## **HOW TO DEMOUNT SYSTEM 9000**



**Picture 1:**

By lifting the bottom lock, the device is detached from the DIN rail.

# EC DECLARATION OF CONFORMITY

As manufacturer

**PR electronics A/S**

**Lerbakken 10**

**DK-8410 Rønde**

hereby declares that the following product:

**Type: 9106B**

**Name: HART® transparent repeater**

is in conformity with the following directives and standards:

The EMC Directive 2004/108/EC and later amendments

**EN 61326-1 : 2006**

For specification of the acceptable EMC performance level, refer to the electrical specifications for the device.

The Low Voltage Directive 2006/95/EC and later amendments

**EN 61010-1 : 2001**

The ATEX Directive 94/9/EC and later amendments

**EN 60079-0:2009, EN 60079-11:2007, EN 60079-15:2005,**

**EN 60079-26:2007, EN 61241-11:2006**

**ATEX certificate: DEKRA 11ATEX0244 X**

Notified body

**DEKRA Certification B.V. (0344)**

**Utrechtseweg 310, 6812 AR Arnhem**

**P.O. Box 5185, 6802 ED Arnhem**

**The Netherlands**

Rønde, 10 March 2012



Kim Rasmussen  
Manufacturer's signature

# HART® TRANSPARENT REPEATER

## 9106B

- *24 VDC supply via power rail or connectors*
- *Active and passive mA input*
- *Active or passive output via the same two terminals*
- *Splitter function - 1 in and 2 out*
- *SIL2/SIL3 Full Assessment and certified acc. to IEC 61508*

### **Application**

- 9106B is a 1- or 2-channel isolated 1:1 repeater barrier for intrinsic safety applications.
- The device supplies 2-wire SMART transmitters and can also be used for 2-wire SMART current sources. HART & BRAIN protocols are supported and are transferred bi-directionally.
- 9106B can be mounted in the safe area or in zone 2 / Cl. 1, div. 2 and receive signals from zone 0, 1, 2 and zone 20, 21, 22 including mining / Class I/II/III, Div. 1, Gr. A-G.
- The PR 4501 displays the process value for each channel and can be used to define high and low limits for detection of loop current level. If these limits are exceeded, the status relay will activate.
- In the 1-channel version the status relay can be used as a simple limit switch.
- Ex splitter application - 1 input and 2 outputs.
- In the dual channel version the 9106B can be implemented in a SIL3 loop.

### **Advanced features**

- The PR 4501 detachable display and the green and red front LEDs indicate operation status for each channel.
- A tag number can be defined for each channel.
- Monitoring of error events and cable breakage on input via the individual status relay and/or a collective electronic signal via the power rail.

### **Technical characteristics**

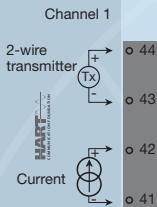
- High galvanic isolation of 2.6 kVAC.
- Fast response time <5 msec.
- High accuracy better than 0.1%.
- 2-wire transmitter supply >16 V.



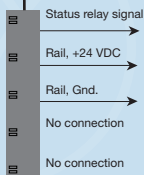


## APPLICATIONS

Input signals:

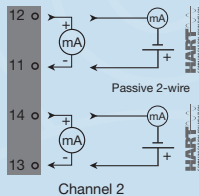


Power rail

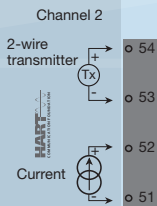


Output signals:

Analogue, 4...20 mA  
Channel 1

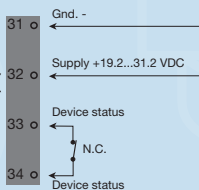


Channel 2



Same power rail as above

Power connection:



**Zone 0, 1, 2,  
20, 21, 22, M1 &  
Cl. I/II/III, Div. 1  
gr. A-G**

**Zone 2 & Cl. 1, Div. 2, gr. A-D  
or Safe Area**

# PR 4501 DISPLAY / PROGRAMMING FRONT



## Functionality

The simple and easily understandable menu structure and the explanatory help texts guide you effortlessly and automatically through the configuration steps, thus making the product very easy to use. Functions and configuration options are described in the section "Configuration / operating the function keys".

## Mounting / installation

- 4501 is a detachable display that can be mounted on the 9106B front for programming and signal monitoring.

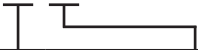
## Application

- Communications interface for modification of operational parameters in 9106B.
- When mounted in the process, the display shows process values and device status.

## Technical characteristics

- LCD display with 4 lines:
  - Line 1 (H=5.57 mm) shows status for each channel (OK or error).
  - Line 2 (H=3.33 mm) shows loop current in mA for channel 1 or tag no.
  - Line 3 (H=3.33 mm) shows loop current in mA for channel 2 or tag no.
  - Line 4 shows communications status.
- In order to protect the configuration against unauthorised changes, access to the menus can be blocked by a password.

## Order codes for 9106B:



Type	Barrier version	Unit channels
<b>9106B</b>	U <sub>o</sub> = 28 V . . . . : 1	Single . . . . . : A
	U <sub>o</sub> = 25.6 V . . . : 2	Double . . . . . : B

## Accessories:

<p><b>4501 = Display / programming front</b> <b>9400 = Power rail</b> <b>9404 = Module stop for rail</b> <b>9410 = Power control unit</b> <b>9420 = Power supply 24 V / 120 W - Ex nAC</b></p>
--

## Environmental conditions:

Specifications range..... -20°C to +60°C  
Storage temperature ..... -20°C to +85°C  
Calibration temperature..... 20...28°C  
Relative humidity ..... < 95% RH (non-cond.)  
Protection degree..... IP20  
Installation in pollution degree 2 & overvoltage category II.

## Mechanical specifications:

Dimensions (HxWxD)..... 109 x 23.5 x 104 mm  
Dimensions (HxWxD) w/ 4501 display ..... 109 x 23.5 x 116 mm  
Weight approx. .... 250 g  
DIN rail type..... DIN EN 60715 - 35 mm  
Wire size ..... 0.13...2.08 mm<sup>2</sup> /  
AWG 26...14 stranded wire  
Screw terminal torque ..... 0.5 Nm

## Common electrical specifications:

Supply voltage..... 19.2...31.2 VDC  
Fuse..... 1.25 A SB / 250 VAC  
Max. consumption..... ≤ 3 W (2 channels)  
Max. internal power dissipation ..... ≤ 2 W (2 channels)

**Isolation - test / working:**

Input to any.....	2.6 kVAC / 300 VAC reinforced isolation
Analogue output to supply .....	2.6 kVAC / 300 VAC reinforced isolation
Status relay to supply.....	1.5 kVAC / 150 VAC reinforced isolation

**SMART bi-directional communication**

frequency range .....	0.5...7.5 kHz
Signal / noise ratio .....	> 60 dB
Response time (0...90%, 100...10%) .....	< 5 msec
Effect of supply voltage change on output (nom. 24 VDC) .....	< ±10 µA

<b>Accuracy values</b>		
Input	Absolute accuracy	Temperature coefficient
mA	≤ ±16 µA	≤ ±1.6 µA / °C

EMC immunity influence .....	< ±0.5% of span
Extended EMC immunity: NAMUR NE 21, A criterion, burst .....	< ±1% of span

**Current input:**

Measurement range .....	3.5...23 mA
2-wire transmitter supply (terminal 44...43 and 54...53):	
9106B1x (U <sub>O</sub> =28 VDC) .....	>16 V / 20 mA
9106B2x (U <sub>O</sub> =25.6 VDC) .....	>15 V / 20 mA
Sensor error detection:	
Loop break 4...20 mA.....	< 1 mA
Input voltage drop:	
Supplied unit.....	< 4 V @ 23 mA
Non-supplied unit.....	< 6 V @ 23 mA

**Ex barrier data:**

B1x: .....	U <sub>O</sub> = 28 V I <sub>O</sub> = 93 mA P <sub>O</sub> = 0.65 W
B2x: .....	U <sub>O</sub> = 25.6 V I <sub>O</sub> = 100 mA P <sub>O</sub> = 0.64 W

**Current output:**

Signal range .....	3.5...23 mA
Load (max.).....	20 mA / 600 $\Omega$ / 12 VDC
Load stability.....	$\leq 0.01\%$ of span / 100 $\Omega$
Current limit.....	$\leq 28$ mA

**Passive 2-wire output installation:**

Max. external 2-wire supply.....	26 VDC
Max. load resistance [ $\Omega$ ] .....	$(V_{\text{supply}} - 3.5) / 0.023$ A
Effect of external 2-wire supply voltage variation .....	$< 0.005\%$ of span / V

\*of span = normal measurement range 4...20 mA

**Status relay output terminal 33-34:**

Relay function.....	N.C.
Programmable low setpoint .....	0...29.9 mA
Programmable high setpoint.....	0...29.9 mA
Hysteresis for setpoints.....	0.1 mA
Max. voltage.....	110 VDC / 125 VAC
Max. current .....	0.3 ADC / 0.5 AAC
Max. voltage - hazardous installation .....	32 VDC / 32 VAC
Max. current - hazardous installation.....	1 ADC / 0.5 AAC

**Approvals:**

EMC 2004/108/EC ..... EN 61326-1  
LVD 2006/95/EC..... EN 61010-1  
c UL us, Standard for Safety ..... UL 61010-1  
GOST R

**Marine:**

Det Norske Veritas, Ships & Offshore ..... Stand. f. Certific. No. 2.4

**I.S. / Ex:**


ATEX 94/9/EC..... DEKRA 11ATEX0244 X  
IECEX..... IECEX DEK 11.0084X  
c FM us ..... 0003044327-C  
GOST Ex

**Functional Safety:**

SIL2 Certified & Fully Assessed acc. to IEC 61508  
SFF> 60% - type A component  
SIL3 Applicable through redundant structure (HFT=0)

## Visualisation in 4501 of hardware / software error

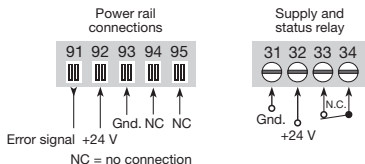
Readout at hardware error		
Error search	Readout	Cause
Communications test 4501 / 9106B	NO.CO	Connection error
EEProm error - check configuration	FL.ER	Configuration error or crc mismatch, recovery configuration is loaded
User error	II !, II !	Loop limit exceeded
User error	II !, II !	Loop error
EEProm error - check configuration	EE.ER / IE.ER	Invalid configuration (CRC or data)
Hardware error	SU.ER	Supply error
Hardware error	RA.ER	RAM error
Hardware error	FL.ER	Flash error
Hardware error	IN.ER	Initialization error
Hardware error	C1.ER	Hardware error - channel 1
Hardware error	C2.ER	Hardware error - channel 2
Hardware error	DE.ER	General error

! All error indications in the display flash once per second. The help text explains the error. In case of cable fault the backlight also flashes. This can be reset by pressing the  key.

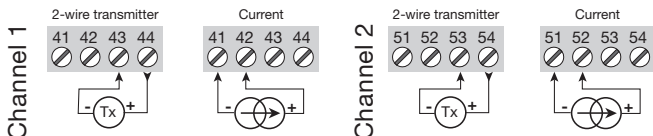
Errors affecting both channels are shown as error on channel 1 - and the line showing channel 2 is blank.

Hardware error can be reset in two ways. Either step through the menus (if the other channel is to stay in operation) or power cycle the device.

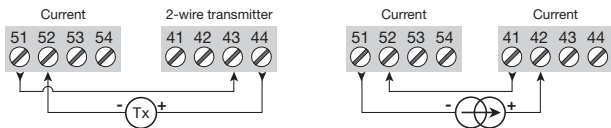
# CONNECTIONS



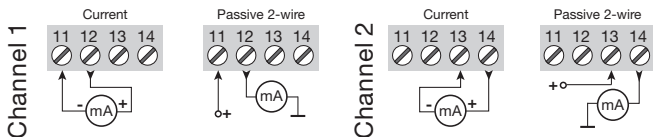
## Ex inputs - SIL 2:



## Ex inputs - SIL 3:



## Outputs:

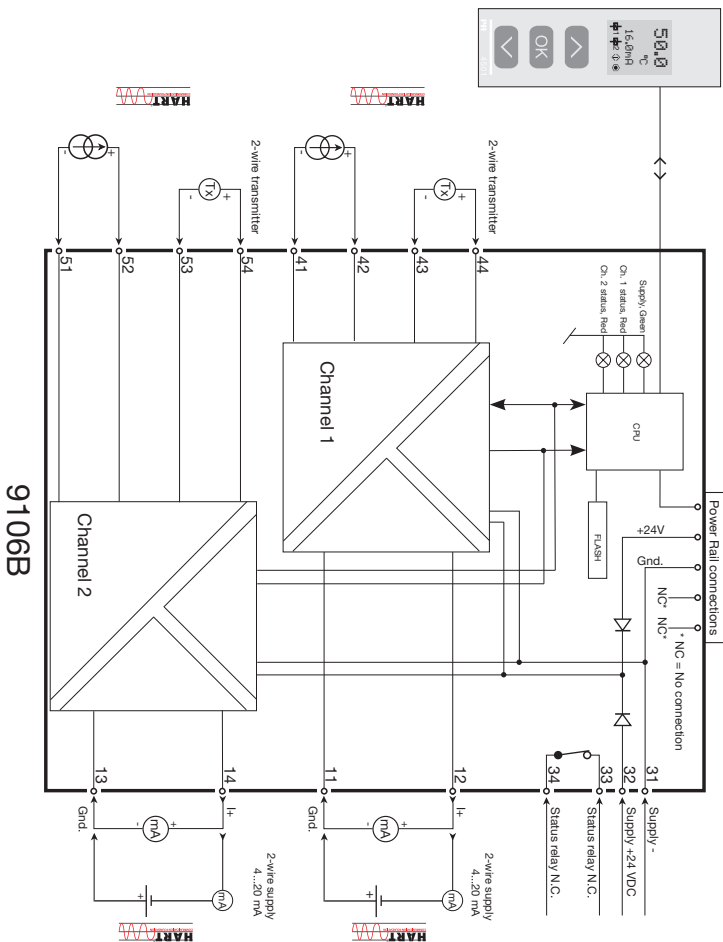


**HART communication is possible directly on the input and output terminals if the output load impedance is > 250 Ohm & < 600 Ohm.**





# BLOCK DIAGRAM



## Signal error indications without display front

List of LED and error signal indications					
Condition	Green LED	Ch. 1: Red	Ch. 2: Red	Status relay, N.C.	Power rail signal status
Device OK	Blinking	OFF	OFF	Energized	OFF
No supply	OFF	OFF	OFF	De-energized	ON
Device defective	Blinking	ON	ON	De-energized	ON
Ch. 1 defective (ch. 2 OK)	Blinking	ON	OFF	De-energized	ON
Ch. 2 defective (ch. 1 OK)	Blinking	OFF	ON	De-energized	ON
Channel 1, signal OK	Blinking	OFF	OFF	Energized	OFF
Ch. 1, signal limit exceeded	Blinking	Blinking	OFF	De-energized	ON (if activated)
Ch. 1, fixed loop break limit exceeded	Blinking	Flashing	OFF	De-energized	ON (if activated)
Channel 2, signal OK	Blinking	OFF	OFF	Energized	OFF
Ch. 2, signal limit exceeded	Blinking	OFF	Blinking	De-energized	ON (if activated)
Ch. 2, fixed loop break limit exceeded	Blinking	OFF	Flashing	De-energized	ON (if activated)

Blinking : 50% ON and 50% OFF	
Flashing : 8% ON and 92% OFF	

# CONFIGURATION / OPERATING THE FUNCTION KEYS

Documentation for routing diagram.

## In general

When configuring the 9106B, you will be guided through all parameters and you can choose the settings which fit the application. For each menu there is a scrolling help text which is automatically shown in line 3 on the display.

Configuration is carried out by use of the 3 function keys:

- ⬆ will increase the numerical value or choose the next parameter
- ⬇ will decrease the numerical value or choose the previous parameter
- OK will save the chosen value and proceed to the next menu

When configuration is completed, the display will return to the default state 1.0. Pressing and holding OK will return to the previous menu or return to the default state (1.0) without saving the changed values or parameters.

If no key is activated for 1 minute, the display will return to the default state (1.0) without saving the changed values or parameters.

## Further explanations

**Password protection:** Programming access can be blocked by assigning a password. The password is saved in the device in order to ensure a high degree of protection against unauthorised modifications to the configuration. Default password 2008 allows access to all configuration menus.

## Loop limits

In the menus LO.LIM and HI.LIM you can choose the current values which will trigger a loop error alarm from the status relay. The NAMUR NE43 limits are selected by setting LO.LIM at 3.6 mA and HI.LIM at 21 mA. The selected limits are identical for both channels. This function can be deactivated by selecting limits outside the range 3.5...23 mA. Alternatively, the status relay can be used as a simple limit switch in the 1-channel version.

The loop break limit is fixed  $\leq 1$  mA. If this limit is exceeded, the status relay will be de-energized.

## Signal and sensor error indication via display front 4501

Sensor error (loop break) is shown in line 1 on the display by flashing  $\text{I}$ ! and  $\text{II}$ !.

The actual mA value is also shown followed by an explanatory text. Channel 1 is shown in line 2 and channel 2 is shown in line 3 on the display.

Line 4 on the display shows the condition of the COM (flashing bullet) indicating correct functioning of 4501.

## Advanced functions

The unit gives access to a number of advanced functions which can be reached by answering "Yes" to the point "adv.set".

**Display setup:** Here you can adjust the brightness contrast and the backlight.

Setup of tag numbers with 5 alphanumerics. Selection of functional readout in line 2 and 3 on the display - choose between readout of loop current or tag no. When selecting "ALT" the readout toggles between loop current and tag no.

**Password:** Here you can choose a password between 0000 and 9999 in order to protect the unit against unauthorised modifications to the configuration.

The unit is delivered default without password.

**Language:** In the menu "LANG" you can choose between 7 different language

versions of help texts that will appear in the menu. You can choose between UK, DE, FR, IT, ES, SE and DK.

**Power rail:** In the menu "RAIL" you can choose if a signal is transmitted to the central surveillance in the PR 9410 power control unit when the signal limits are exceeded..

**Safety Integrity Level (SIL):** See Safety Manual for details.



# ROUTING DIAGRAM

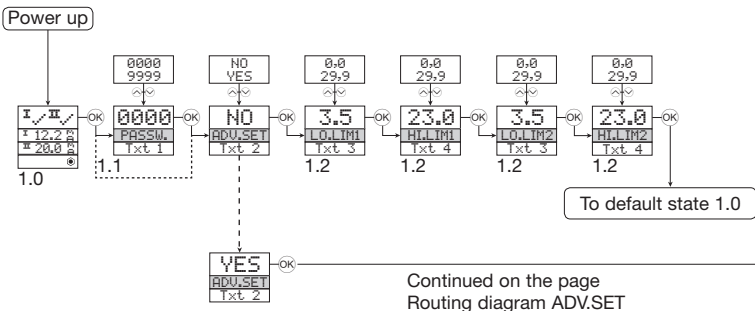
If no key is activated for 1 minute, the display will return to the default state 1.0 without saving configuration changes.

⊖ Increase value / choose next parameter

⊕ Decrease value / choose previous parameter

⊙ Save the chosen value and proceed to the next menu

Hold ⊙ Back to previous menu / return to menu 1.0 without saving



1.0 = Default state.

Line 1 shows status for channel 1 and channel 2

Line 2 shows analogue value or tag no. for channel 1. If the loop limit is exceeded (LO.LIM and HI.LIM) the analogue value is shown for 5 sec. followed by txt 18. In case of loop break, 0.0 is shown for 5 sec. followed by txt 19.

Line 3 shows the same as line 2, only for channel 2.

Line 4 shows status for communication.

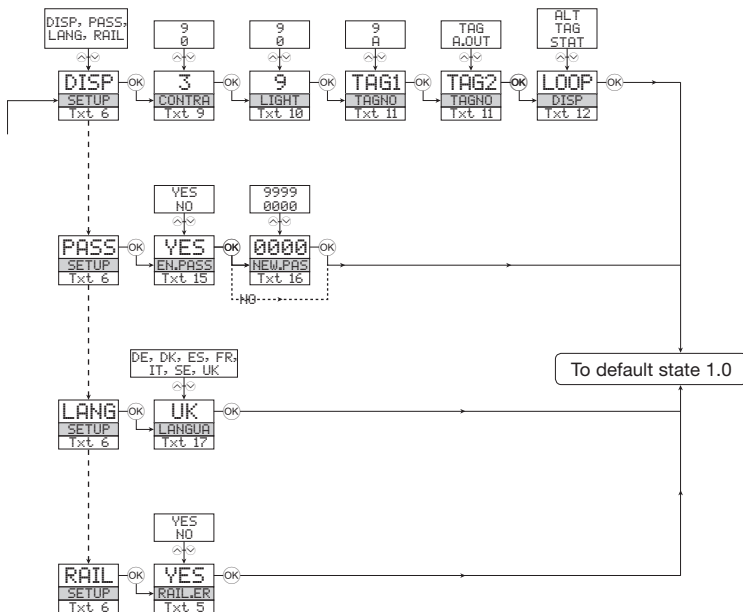
1.1 = Only if password-protected.

1.2 = Loop current limits (identical for both channels) can be deactivated by selecting values outside the range 3.5...23 mA.

Line 1 symbols:

⊖ ⊕ = OK. Flashing ⊖ ⊕ = error.

## ROUTING DIAGRAM, ADVANCED SETTINGS (ADV.SET)



## SCROLLING HELP TEXTS IN DISPLAY LINE 3

- [01] Set correct password [ PASS ]
- [02] Enter advanced setup [ ADV,SET ]
- [03] Set low limit for loop error detection [ LO.LIM1 ] [LO.LIM2 ]
- [04] Set high limit for loop error detection [ HI.LIM1 ] [HI.LIM2 ]
- [05] Enable rail status signal output? [ RAIL.ER ]
- [06] Enter display setup [ SETUP ]
  - Enter password setup [ SETUP ]
  - Enter language setup [ SETUP ]
  - Enter rail setup [ SETUP ]
- [09] Adjust LCD contrast [ CONTRA ]
- [10] Adjust LCD backlight [ LIGHT ]
- [11] Write a 5-character tag no. [ "TAGON ] [ "TAGON ]
- [12] Show loop values in display
  - Show tag no. in display
  - Alternate shown information in display
- [15] Enable password protection [ EN.PASS ]
- [16] Set new password [ NEW.PAS ]
- [17] Select language [ LANGUA ]
- [18] Loop signal limit exceeded
- [19] Loop wire breakage
- [20] No communication - check connections
- [21] EEprom error - check configuration
- [22] Hardware error

# APPENDIX

**IECEX Installation drawing**  
**ATEX Installation drawing**  
**FM Installation drawing**

**Safety Manual**



## IECEX Installation drawing



For safe installation of 9106B the following must be observed. The module shall only be installed by qualified personnel who are familiar with the national and international laws, directives and standards that apply to this area.

Year of manufacture can be taken from the first two digits in the serial number.



For Installation in Zone 2 the following must be observed.

The 4501 programming module is to be used solely with PRelectronics modules. It is important that the module is undamaged and has not been altered or modified in any way. Only 4501 modules free of dust and moisture shall be installed.

9106B1A: 1 channel HART<sup>®</sup> transparent repeater (28 V Barrier)  
 9106B1B: 2 channel HART<sup>®</sup> transparent repeater (28 V Barrier)  
 9106B2A: 1 channel HART<sup>®</sup> transparent repeater (25.6 V Barrier)  
 9106B2B: 2 channel HART<sup>®</sup> transparent repeater (25.6 V Barrier)

**IECEX Certificate:** ..... IECEx DEK 11.0084 X

**Marking** [Ex ia Ga] IIC/IIB/IIA  
 Ex nA nC IIC T4 Gc  
 [Ex ia Da] IIIC  
 [Ex ia Ma] I

**Standards** IEC60079-15 :2005, IEC60079-11:2011, IEC60079-0: 2011  
 IEC60079-26: 2006,

**Supply terminal (31,32)**  
 Voltage: 19.2 – 31.2 VDC

<b>Status Relay</b> terminal (33,34)	Zone 2 installation
Voltage max: 125 VAC / 110 VDC	32 VAC / 32 VDC
Power max: 62.5 VA / 32 W	32 VAC / 32 VDC
Current max: 0.5 A AC / 0.3 ADC	0.5 A AC / 1 ADC

### Installation notes:

Install in pollution degree 2, overvoltage category II as defined in IEC 60664-1

Do not separate connectors when energized and an explosive gas mixture is present.

Do not mount or remove modules from the Power Rail when an explosive gas mixture is present.

Disconnect power before servicing.

The wiring of unused terminals is not allowed.

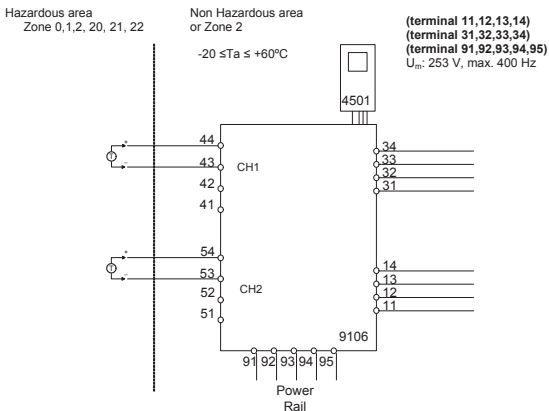
The Loop Supply and Current Input terminals for the same channel shall not be applied at the same time.

In type of protection [Ex ia Da] the parameters for intrinsic safety for gas group IIB are applicable.

For installation in Zone 2, the module shall be installed in an enclosure in type of protection Ex n or Ex e, providing a degree of protection of at least IP54. Cable entry devices and blanking elements shall fulfill the same requirements.

For installation on Power Rail in Zone 2, only Power Rail type 9400 supplied by Power Control Unit type 9410 (Type Examination Certificate KEMA 07ATEX0152 X) is allowed.

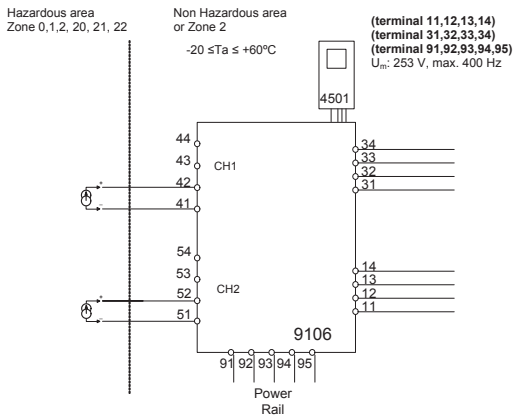
LERBAKKEN 10, 8410 RØNDE DENMARK


**9106B1A, 9106B1B**
**Ex input : Loop current source**
**CH1 (terminal 43,44)**
**CH2 (terminal 53,54)**
 $U_o: 28 \text{ V}$ 
 $I_o: 93 \text{ mA}$ 
 $P_o: 0.65 \text{ W}$ 
**9106B2A, 9106B2B**
**Ex input : Loop current source**
**CH1 (terminal 43,44)**
**CH2 (terminal 53,54)**
 $U_o: 25.6 \text{ V}$ 
 $I_o: 100 \text{ mA}$ 
 $P_o: 0.64 \text{ W}$ 

	IIC	IIB	IIA	I
$C_o$	0.08 $\mu\text{F}$	0.600 $\mu\text{F}$	2.15 $\mu\text{F}$	3.76 $\mu\text{F}$
$L_o$	3 mH	12 mH	25 mH	30 mH

	IIC	IIB	IIA	I
$C_o$	0.10 $\mu\text{F}$	0.800 $\mu\text{F}$	2.75 $\mu\text{F}$	4.65 $\mu\text{F}$
$L_o$	2 mH	9 mH	15 mH	25 mH

LERBAKKEN 10, 8410 RØNDE DENMARK


**9106B1A, 9106B1B, 9106B2A, 9106B2B**
**Ex input: External current source**
**CH1 (terminal 41,42)**
**CH2 (terminal 51,52)**
 $U_o:$  0 V

 $I_o:$  0 mA

 $P_o:$  0 mW

 $U_i:$  30 V

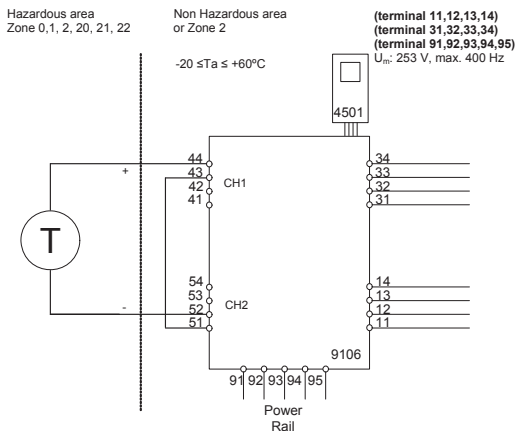
 $I_i:$  120 mA

 $P_i:$  0.85 mA

 $C_i:$  2 nF

 $L_i:$  0  $\mu\text{H}$

LERBAKKEN 10, 8410 RØNDE DENMARK


**9106B1A, 9106B1B**

Ex input: Loop current source 1 to 2

CH1 (terminal 44)

CH2 (terminal 52)

 $U_o:$  28 V  
 $I_o:$  93 mA  
 $P_o:$  0.65 W

**9106B2A, 9106B2B**

Ex input: Loop current source 1 to 2

CH1 (terminal 44)

CH2 (terminal 52)

 $U_o:$  25.6 V  
 $I_o:$  100 mA  
 $P_o:$  0.64 W

	IIC	IIB	IIA	I
$C_o$	0.08 $\mu$ F	0.600 $\mu$ F	2.15 $\mu$ F	3.76 $\mu$ F
$L_o$	3 mH	12 mH	25 mH	30 mH

	IIC	IIB	IIA	I
$C_o$	0.10 $\mu$ F	0.800 $\mu$ F	2.75 $\mu$ F	4.65 $\mu$ F
$L_o$	2 mH	9 mH	15 mH	25 mH

 Revision date:  
 2011-11-20

 Version Revision  
 V3 R0

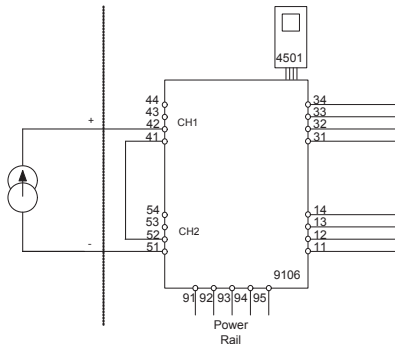
 Prepared by:  
 PB

 Page:  
 4/5

Hazardous area  
 Zone 0,1,2, 20, 21, 22

 Non Hazardous area  
 or Zone 2

 $-20 \leq T_a \leq +60^\circ\text{C}$ 

 (terminal 11,12,13,14)  
 (terminal 31,32,33,34)  
 (terminal 91,92,93,94,95)  
 $U_m: 253 \text{ V, max. } 400 \text{ Hz}$ 

**9106B1A, 9106B1B, 9106B2A, 9106B2B**
**Ex input: External current source 1 to 2**
**CH1 (terminal 42)**
**CH2 (terminal 51)**
 $U_o: 0 \text{ V}$ 
 $I_o: 0 \text{ mA}$ 
 $P_o: 0 \text{ W}$ 
 $U_i: 30 \text{ V}$ 
 $I_i: 120 \text{ mA}$ 
 $P_i: 0.85 \text{ W}$ 
 $C_i: 4 \text{ nF}$ 
 $L_i: 0 \mu\text{H}$

## ATEX Installation drawing



For safe installation of 9106B the following must be observed. The module shall only be installed by qualified personnel who are familiar with the national and international laws, directives and standards that apply to this area.

Year of manufacture can be taken from the first two digits in the serial number.



### 4501

For Installation in Zone 2 the following must be observed.

The 4501 programming module is to be used solely with PRelectronics modules. It is important that the module is undamaged and has not been altered or modified in any way. Only 4501 modules free of dust and moisture shall be installed.

9106B1A: 1 channel HART<sup>®</sup> transparent repeater (28 V Barrier)

9106B1B: 2 channel HART<sup>®</sup> transparent repeater (28 V Barrier)

9106B2A: 1 channel HART<sup>®</sup> transparent repeater (25.6 V Barrier)

9106B2B: 2 channel HART<sup>®</sup> transparent repeater (25.6 V Barrier)

### ATEX Certificate

DEKRA 11ATEX0244 X

### Marking

II (1) G [Ex ia Ga] IIC/IIB/IIA

II 3 G Ex nA nC IIC T4 Gc

II (1) D [Ex ia Da] IIIC

I M (1) [Ex ia Ma] I

### Standards

EN 60079-0 : 2009, EN 60079-11 : 2007, EN 60079-15 : 2005

EN 60079-26 : 2007, EN 61241-11 : 2006

### Supply terminal (31,32)

Voltage: 19.2 – 31.2 VDC

### Status Relay, terminal (33,34)

Voltage max: 125 VAC / 110 VDC

Power max: 62.5 VA / 32 W

Current max: 0.5 A AC / 0.3 ADC

### Zone 2 installation

32 VAC / 32 VDC

32 VAC / 32 VDC

0.5 A AC / 1 ADC

### Installation notes:

Install in pollution degree 2, overvoltage category II as defined in EN 60664-1

Do not separate connectors when energized and an explosive gas mixture is present.

Do not mount or remove modules from the Power Rail when an explosive gas mixture is present.

Disconnect power before servicing.

The wiring of unused terminals is not allowed.

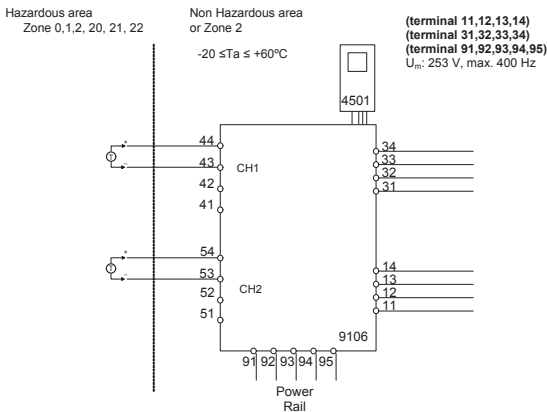
The Loop Supply and Current Input terminals for the same channel shall not be applied at the same time.

In type of protection [Ex ia Da] the parameters for intrinsic safety for gas group IIB are applicable.

For installation in Zone 2, the module shall be installed in an enclosure in type of protection Ex n or Ex e, providing a degree of protection of at least IP54. Cable entry devices and blanking elements shall fulfill the same requirements.

For installation on Power Rail in Zone 2, only Power Rail type 9400 supplied by Power Control Unit type 9410 (Type Examination Certificate KEMA 07ATEX0152 X) is allowed.

LERBAKKEN 10, 8410 RØNDE DENMARK


**9106B1A, 9106B1B**
**Ex input : Loop current source**
**CH1 (terminal 43,44)**
**CH2 (terminal 53,54)**
 $U_o:$  28 V

 $I_o:$  93 mA

 $P_o:$  0.65 W

	IIC	IIB	IIA	I
$C_o$	0.08 $\mu$ F	0.600 $\mu$ F	2.15 $\mu$ F	3.76 $\mu$ F
$L_o$	3 mH	12 mH	25 mH	30 mH

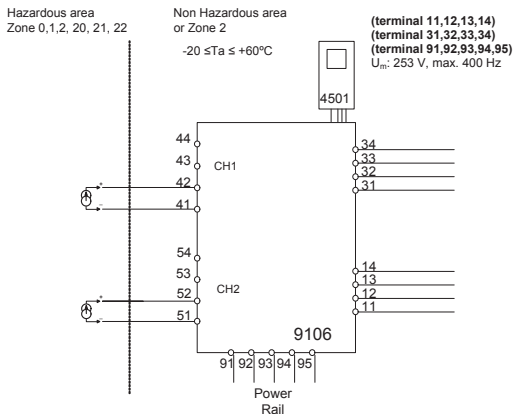
**9106B2A, 9106B2B**
**Ex input : Loop current source**
**CH1 (terminal 43,44)**
**CH2 (terminal 53,54)**
 $U_o:$  25.6 V

 $I_o:$  100 mA

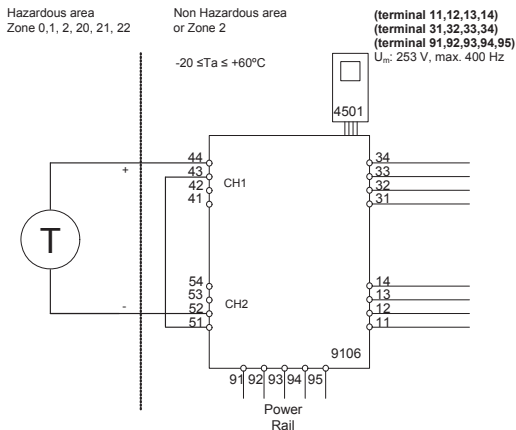
 $P_o:$  0.64 W

	IIC	IIB	IIA	I
$C_o$	0.10 $\mu$ F	0.800 $\mu$ F	2.75 $\mu$ F	4.65 $\mu$ F
$L_o$	2 mH	9 mH	15 mH	25 mH

LERBAKKEN 10, 8410 RØNDE DENMARK


**9106B1A, 9106B1B, 9106B2A, 9106B2B**
**Ex input : External current source**
**CH1 (terminal 41,42)**
**CH2 (terminal 51,52)**
 $U_o: 0 \text{ V}$ 
 $I_o: 0 \text{ mA}$ 
 $P_o: 0 \text{ mW}$ 
 $U_i: 30 \text{ V}$ 
 $I_i: 120 \text{ mA}$ 
 $P_i: 0.85 \text{ mW}$ 
 $C_i: 2 \text{ nF}$ 
 $L_i: 0 \text{ }\mu\text{H}$




**9106B1A, 9106B1B**

Ex input: Loop current source 1 to 2

CH1 (terminal 44)

CH2 (terminal 52)

 $U_o: 28 \text{ V}$ 
 $I_o: 93 \text{ mA}$ 
 $P_o: 0.65 \text{ W}$ 
**9106B2A, 9106B2B**

Ex input: Loop current source 1 to 2

CH1 (terminal 44)

CH2 (terminal 52)

 $U_o: 25.6 \text{ V}$ 
 $I_o: 100 \text{ mA}$ 
 $P_o: 0.64 \text{ W}$ 

	IIC	IIB	IIA	I
$C_o$	0.08 $\mu\text{F}$	0.600 $\mu\text{F}$	2.15 $\mu\text{F}$	3.76 $\mu\text{F}$
$L_o$	3 mH	12 mH	25 mH	30 mH

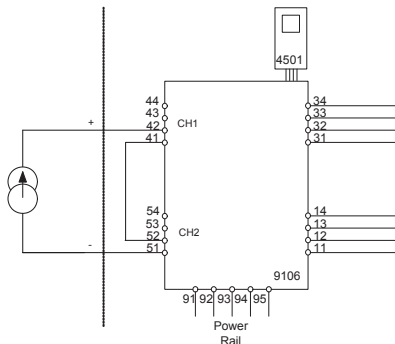
	IIC	IIB	IIA	I
$C_o$	0.10 $\mu\text{F}$	0.800 $\mu\text{F}$	2.75 $\mu\text{F}$	4.65 $\mu\text{F}$
$L_o$	2 mH	9 mH	15 mH	25 mH

Hazardous area  
Zone 0,1,2, 20, 21, 22

Non Hazardous area  
or Zone 2

$-20 \leq T_a \leq +60^\circ\text{C}$

(terminal 11,12,13,14)  
(terminal 31,32,33,34)  
(terminal 91,92,93,94,95)  
 $U_m: 253 \text{ V, max. } 400 \text{ Hz}$


**9106B1A, 9106B1B, 9106B2A, 9106B2B**

Ex input : External current source 1 to 2

CH1 (terminal 42)

CH2 (terminal 51)

$U_o:$  0 V  
 $I_o:$  0 mA  
 $P_o:$  0 W

$U_i:$  30 V  
 $I_i:$  120 mA  
 $P_i:$  0.85 W  
 $C_i:$  4 nF  
 $L_i:$  0  $\mu$ H

## FM Installation drawing



For safe installation of 9106B the following must be observed. The module shall only be installed by qualified personnel who are familiar with the national and international laws, directives and standards that apply to this area.

Year of manufacture can be taken from the first two digits in the serial number.



For Installation in Div2/Zone2 the following must be observed.  
The 4501 programming module is to be used solely with PRelectronics modules. It is important that the module is undamaged and has not been altered or modified in any way. Only 4501 modules free of dust and moisture shall be installed.

9106B1A: 1 channel HART<sup>®</sup> transparent repeater (28 V Barrier)  
9106B1B: 2 channel HART<sup>®</sup> transparent repeater (28 V Barrier)  
9106B2A: 1 channel HART<sup>®</sup> transparent repeater (25.6 V Barrier)  
9106B2B: 2 channel HART<sup>®</sup> transparent repeater (25.6 V Barrier)

#### Supply terminal (31,32)

Voltage: 19.2 – 31.2 VDC

#### Status Relay terminal (33,34)

Voltage max: 125 VAC / 110 VDC  
Power max: 62.5 VA / 32 W  
Current max: 0.5 A AC / 0.3 ADC

#### Zone 2 installation

32 VAC / 32 VDC  
32 VAC / 32 VDC  
0.5 A AC / 1 ADC

#### Installation notes:

In Class I, Division 2 installations, the subject equipment shall be mounted within a tool-secured enclosure which is capable of accepting one or more of the Class I, Division 2 wiring methods specified in the National Electrical Code (ANSI/NFPA 70) or Canadian Electrical Code (C22.1).

The equipment shall be installed in an enclosure with a minimum ingress protection rating of IP54 unless the apparatus is intended to be afforded an equivalent degree of protection by location.

The module is galvanically isolated and does not require grounding.

Install in pollution degree 2, overvoltage category II.

Use 60 / 75 °C copper conductors with wire size AWG: (26-14)

**Warning:** Substitution of components may impair intrinsic safety.

**Warning:** To prevent ignition of the explosive atmospheres, disconnect power before servicing and do not separate connectors, install or remove module from Power Rail when energized and an explosive gas mixture is present.

**Warning:** The Loop Supply and Current Input terminals for the same channel shall not be applied at the same time. The wiring of unused terminals is not allowed.

LERBAKKEN 10, 8410 RØNDE DENMARK

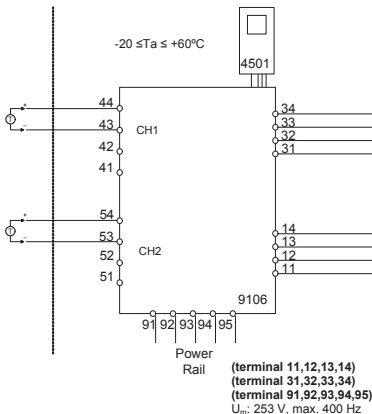
**Hazardous Classified Location**

 Class I/II/III, Division 1, Group A,B,C,D,E,F,G  
 Zone 0,1, 2 Group IIC, IIB, IIA or  
 Zone 20, 21

**Unclassified Location or  
Hazardous Classified Location**

 Class I, Division 2, Group ABCD T4  
 Class I Zone 2 Group IIC T4

 Simple Apparatus or  
 Intrinsic safe apparatus  
 with entity parameters:

 $V_{max}(U_i) \geq V_t(U_o)$   
 $I_{max}(I_i) \geq I_t(I_o)$   
 $P_i \geq P_t(P_o)$   
 $C_a \geq C_{cable} + C_i$   
 $L_a \geq L_{cable} + L_i$ 

**9106B1A, 9106B1B**
**Ex input: Loop current source**
**CH1 (terminal 43,44)**
**CH2 (terminal 53,54)**

 U<sub>o</sub>: 28 V

 I<sub>o</sub>: 93 mA

 P<sub>o</sub>: 0.65 W

**9106B2A, 9106B2B**
**Ex input: Loop current source**
**CH1 (terminal 43,44)**
**CH2 (terminal 53,54)**

 U<sub>o</sub>: 25.6 V

 I<sub>o</sub>: 100 mA

 P<sub>o</sub>: 0.64 W

	IIC or A,B	IIB or C,E,F	IIA or D,G
C <sub>o</sub>	0.08 μF	0.600 μF	2.15 μF
L <sub>o</sub>	3 mH	12 mH	25 mH

	IIC or A,B	IIB or C,E,F	IIA or D,G
C <sub>o</sub>	0.10 μF	0.800 μF	2.75 μF
L <sub>o</sub>	2 mH	9 mH	15 mH

 Revision date:  
2011-11-02

 Version Revision  
V3 R0

 Prepared by:  
PB

 Page:  
2/5

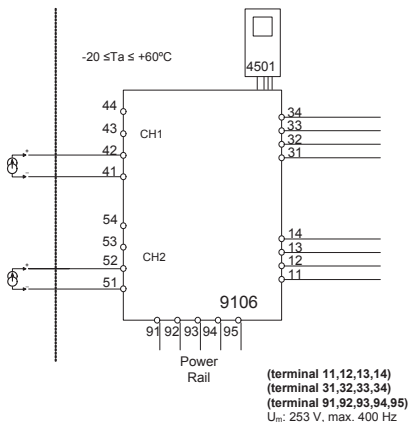
LERBAKKEN 10, 8410 RØNDE DENMARK

**Hazardous Classified Location**

 Class I/II/III, Division 1, Group A,B,C,D,E,F,G  
 Zone 0, 1, 2 Group IIC, IIB, IIA or  
 Zone 20, 21

**Unclassified Location or**
**Hazardous Classified Location**  
 Class I, Division 2, Group ABCD T4  
 Class I Zone 2 Group IIC T4

 Simple Apparatus or  
 Intrinsic safe apparatus  
 with entity parameters:

 $V_{max}(U_i) \geq V_t(U_o)$   
 $I_{max}(I_i) \geq I_t(I_o)$   
 $P_i \geq P_t(P_o)$   
 $C_a \geq C_{cable} + C_i$   
 $L_a \geq L_{cable} + L_i$ 

**9106B1A, 9106B1B, 9106B2A, 9106B2B**
**Ex input: External current source**
**CH1 (terminal 41,42)**
**CH2 (terminal 51,52)**
 $U_{o-}$ : 0 V  
 $I_{o-}$ : 0 mA  
 $P_{o-}$ : 0 mW

 $U_i$ : 30 V  
 $I_i$ : 120 mA  
 $P_i$ : 0.85 W  
 $C_i$ : 2 nF  
 $L_i$ : 0 μH

 Revision date:  
 2011-11-02

 Version Revision  
 V3 R0

 Prepared by:  
 PB

 Page:  
 3/5

LERBAKKEN 10, 8410 RØNDE DENMARK

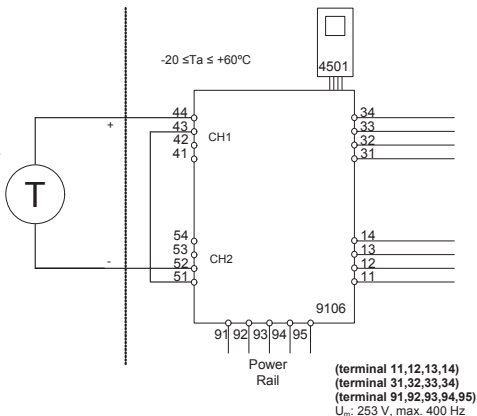
**Hazardous Classified Location**

 Class I/II/III, Division 1, Group A,B,C,D,E,F,G  
 Zone 0, 1, 2 Group IIC, IIB, IIA or  
 Zone 20, 21

**Unclassified Location or  
Hazardous Classified Location**

 Class I, Division 2, Group ABCD T4  
 Class I Zone 2 Group IIC T4

 Simple Apparatus or  
 Intrinsic safe apparatus  
 with entity parameters:

 $V_{max}(U_i) \geq V_t(U_o)$   
 $I_{max}(I_i) \geq I_t(I_o)$   
 $P_i \geq P_t(P_o)$   
 $C_a \geq C_{cable} + C_i$   
 $L_a \geq L_{cable} + L_i$ 

**9106B1A, 9106B1B**
**Ex input: Loop current source 1 to 2**
**CH1 (terminal 44)**
**CH2 (terminal 52)**
 $U_o:$  28 V  
 $I_o:$  93 mA  
 $P_o:$  0.65 W

**9106B2A, 9106B2B**
**Ex input: Loop current source 1 to 2**
**CH1 (terminal 44)**
**CH2 (terminal 52)**
 $U_o:$  25.6 V  
 $I_o:$  100 mA  
 $P_o:$  0.64 W

	IIC or A,B	IIB or C,E,F	IIA or D,G
$C_o$	0.08 $\mu$ F	0.600 $\mu$ F	2.15 $\mu$ F
$L_o$	3 mH	12 mH	25 mH

	IIC or A,B	IIB or C,E,F	IIA or D,G
$C_o$	0.10 $\mu$ F	0.800 $\mu$ F	2.75 $\mu$ F
$L_o$	2 mH	9 mH	15 mH

 Revision date:  
 2011-11-02

 Version Revision  
 V3 R0

 Prepared by:  
 PB

 Page:  
 4/5

**Hazardous Classified Location**

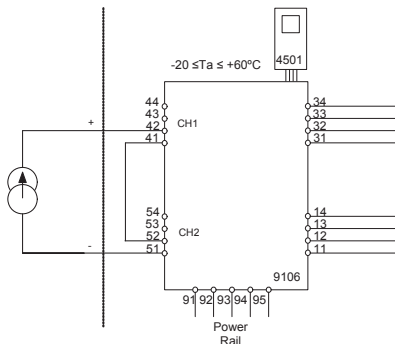
Class I/II/III, Division 1, Group A,B,C,D,E,F,G  
 Zone 0, 1, 2 Group IIC, IIB, IIA or  
 Zone 20, 21

**Unclassified Location or  
 Hazardous Classified Location**

Class I, Division 2, Group ABCD T4  
 Class I Zone 2 Group IIC T4

Simple Apparatus or  
 Intrinsic safe apparatus  
 with entity parameters:

$V_{max}(U_i) \geq V_t(U_o)$   
 $I_{max}(I_i) \geq I_t(I_o)$   
 $P_i \geq P_t(P_o)$   
 $C_a \geq C_{cable} + C_i$   
 $L_a \geq L_{cable} + L_i$


**9106B1A, 9106B1B, 9106B2A, 9106B2B**

**Ex input: External current source 1 to 2**

**CH1 (terminal 42)**

**CH2 (terminal 51)**

$U_o:$  0 V  
 $I_o:$  0 mA  
 $P_o:$  0 W

$U_i:$  30 V  
 $I_i:$  120 mA  
 $P_i:$  0.85 W  
 $C_i:$  4 nF  
 $L_i:$  0  $\mu$ H

(terminal 11,12,13,14)  
 (terminal 31,32,33,34)  
 (terminal 91,92,93,94,95)  
 $U_m:$  253 V, max. 400 Hz

# **SAFETY MANUAL**

## **HART TRANSPARENT REPEATER**

**9106**

**This safety manual is valid for the following product versions:  
9106-002**



## 0. CONTENTS

1. Observed standards .....	2
2. Acronyms and abbreviations .....	2
3. Purpose of the product .....	3
4. Assumptions and restrictions for use of the product.....	3
4.1 Basic safety specifications .....	3
4.2 Safety accuracy .....	3
4.3 Analogue output .....	3
4.4. Failure rates .....	3
4.5 Installation in hazardous areas .....	4
4.6. Installation in SIL 3 applications.....	4
5. Functional specification of the safety functions.....	4
6. Functional specification of the non-safety functions .....	4
7. Safety parameters .....	5
8. Hardware and software configuration. ....	6
9. Failure category SIL 2 / SIL 3.....	7
10. Periodic proof test procedure .....	7
11. Procedures to repair or replace the product.....	7
12. Maintenance .....	7
13. Connections diagram .....	8

## 1. Observed standards

Standard	Description
IEC 61508	Functional Safety of electrical / electronic / programmable electronic safety-related systems
IEC 61508-2:2000	Part 2: Requirements for electrical / electronic / programmable electronic safety-related systems

## 2. Acronyms and abbreviations

Acronym / Abbreviation	Designation	Description
Element		Term defined by IEC 61508 as “part of a subsystem comprising a single component or any group of components that performs one or more element safety functions”
PFD	Probability of Failure on Demand	This is the likelihood of dangerous safety function failures occurring on demand.
PFH	Probability of dangerous Failure per Hour	The term “Probability” is misleading, as IEC 61508 defines a Rate.
SFF	Safe Failure Fraction	Safe Failure Fraction summarises the fraction of failures which lead to a safe state and the fraction of failures which will be detected by diagnostic measures and lead to a defined safety action.
SIF	Safety Integrity Function	Function that provides fault detection (to ensure the necessary safety integrity for the safety functions)
SIL	Safety Integrity Level	The international standard IEC 61508 specifies four discrete safety integrity levels (SIL 1 to SIL 4). Each level corresponds to a specific probability range regarding the failure of a safety function.

### 3. Purpose of the product

HART transparent, galvanic isolation and repetition of passive and active 4...20 mA current signals from hazardous area to non-classified area.

The module can be mounted in non-classified area or in zone 2 / Div. 2 and receive current signals from zone 0, 1, 2, 20, 21, 22 and mines or Class I/II/III, Div. 1, Group. A-G.

Error events, including cable breakage, are monitored and signalled via the individual status relay and/or a collective electronic signal via the power rail.

The display and programming module 4501 can be used to show the actual process values, and alter the set point for high and low limit.

The 9106 has been designed, developed and certified for use in SIL applications according to the requirements of IEC 61508

### 4. Assumptions and restrictions for use of the product

#### 4.1 Basic safety specifications

Operational temperature range .....	-20...+60°C
Storage temperature range .....	-20...+85°C
Power supply type.....	Double or reinforced
Supply voltage .....	19.2...31.2 VDC
Loop supply 9106B1 .....	16V @ 20mA
Loop supply 9106B2 .....	15V @ 20mA
Max external output supply voltage.....	26 VDC
Mounting area.....	Class I, Zone 2/Division 2 or safe area
Mounting environment.....	Pollution degree 2, Overvoltage category II

#### 4.2 Safety accuracy

The analogue output corresponds to the applied input within the safety accuracy.

Safety accuracy..... ±2%

#### 4.3 Analogue output

The connected safety PLC shall be able to detect and handle the fault indications from the analogue output of the 9106 Repeater by having a NAMUR NE43-compliant input circuit.

#### 4.4. Failure rates

The basic failure rates from the Siemens standard SN 29500 are used as the failure rate database.

Failure rates are constant, wear-out mechanisms are not included.

External power supply failure rates are not included.

#### **4.5 Installation in hazardous areas**

The IECEx Installation drawing, ATEX Installation drawing and FM Installation drawing shall be followed if the products are installed in or connected to hazardous areas.

#### **4.6. Installation in SIL 3 applications**

The independence of the safety functions enables the use of the two channels in a 9106 HART<sup>®</sup> Transparent Repeater device, in a SIL 3 safety function when both inputs are connected in series.

The safety PLC or equivalent connected to the output shall be able to detect and handle the fault indications from both analogue outputs of the 9106 Repeater by having NAMUR NE43-compliant input circuits and must be able to compare the two channels.

### **5. Functional specification of the safety functions**

Galvanic isolation of an active or passive 4...20 mA current signal from hazardous areas to an active or passive 4..20 mA output signal in non-classified area or zone2 / Div. 2, within the specified accuracy.

### **6. Functional specification of the non-safety functions**

The status relay (terminal 33 and 34), error signal on power rail (terminal 91) and LED outputs are not suitable for use in any Safety Instrumented Function. The display value and any possible parameterisation by the 4501 add on module does not affect the safety function of the 9106.

Also the HART<sup>®</sup> transparency of the module is not a safety function.

## 7. Safety parameters

Connection diagram	Ex input SIL 2
Probability of dangerous Failure per Hour (PFH)	4.10E-08
	Note <sup>1</sup>
Probability of failure on demand (PFD) - 1 year proof test interval	1.95E-04
Proof test interval (10% of loop PFD)	5 years
Safe Failure Fraction	88%
Demand mode	High
Demand rate	Note <sup>3</sup>
Mean Time To Repair (MTTR)	24 hours
Hardware Fault Tolerance (HFT)	0
Component Type	A
SIL capability	SIL 2
Description of the "Safe State"	Output $\leq$ 3.6 mA or Output $\geq$ 21 mA

Connection diagram	Ex input SIL 3
Probability of dangerous Failure per Hour (PFH)	1.10E-08
	Note <sup>1</sup>
Probability of failure on demand (PFD) - 1 year proof test interval	4.27E-05
Proof test interval (10% of loop PFD)	2 years
Safe Failure Fraction	98%
Demand mode	High
Demand rate	Note <sup>3</sup>
Mean Time To Repair (MTTR)	24 hours
Hardware Fault Tolerance (HFT)	0
Component Type	A, see Note <sup>4</sup>
SIL capability	SIL 3, see Note <sup>2</sup>
Description of the "Safe State"	Output $\leq 3.6$ mA or Output $\geq 21$ mA

Note<sup>1</sup>: The 9106 contains no lifetime limiting components, therefore the PFH figures are valid for up to 12 years, according to IEC 61508.

Note<sup>2</sup>: The use of 9106 in SIL 3 applications requires that the connected PLC is suitable for SIL 3 applications. see paragraph 4.6.

Note<sup>3</sup>: Depends on detection time in external controller. If detection time is xx seconds, the Demand Rate shall be 100 times xx seconds.

Note<sup>4</sup>: Simple device (type A) where microprocessors and software have no effect on safety output.

## 8. Hardware and software configuration.

All configurations of software and hardware versions are fixed from factory, and cannot be changed by end-user or reseller.

This manual only covers products labelled with the product version (or range of versions) specified on the front page.

## 9. Failure category SIL 2 / SIL 3

Failure category	Failure rates (1/h) SIL 2
Fail Safe Detected	0.000E-0
Fail Safe Undetected	1.65E-07
Fail Dangerous Detected	1.60E-07
Fail Dangerous Undetected	4.10-08

Failure category	Failure rates (1/h) SIL 3
Fail Safe Detected	0.000E-0
Fail Safe Undetected	3.05E-07
Fail Dangerous Detected	3.63E-07
Fail Dangerous Undetected	1.10-08

## 10. Periodic proof test procedure

Step	Action
1	Bypass the safety PLC or take other appropriate action to avoid a false trip
2	Connect a simulator identical to the input setup
3	Apply input value corresponding to 0/100% output range to each channel
4	Observe whether the output channel acts as expected
5	Restore the input terminals to full operation
6	Remove the bypass from the safety PLC or otherwise restore normal operation

This test will detect approximately 95% of possible “du” (dangerous undetected) failures in the module.

## 11. Procedures to repair or replace the product

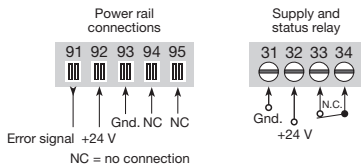
Any failures that are detected and that compromise functional safety should be reported to the sales department at PR electronics A/S.

Repair of the module and replacement of circuit breakers must be done by PR electronics A/S only.

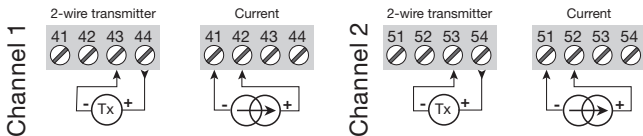
## 12. Maintenance

No maintenance required.

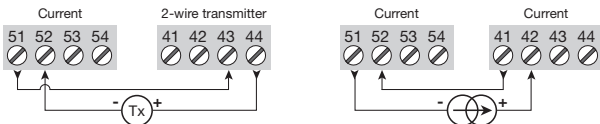
### 13. Connections diagram



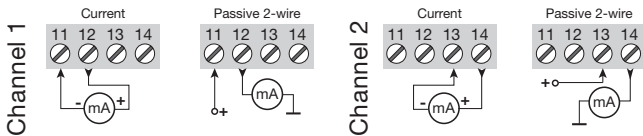
#### Ex inputs - SIL 2:



#### Ex inputs - SIL 3:



#### Outputs:







**Displays** Programmable displays with a wide selection of inputs and outputs for display of temperature, volume and weight, etc. Feature linearisation, scaling, and difference measurement functions for programming via PReset software.



**Ex interfaces** Interfaces for analogue and digital signals as well as HART® signals between sensors / I/P converters / frequency signals and control systems in Ex zone 0, 1 & 2 and for some modules in zone 20, 21 & 22.



**Isolation** Galvanic isolators for analogue and digital signals as well as HART® signals. A wide product range with both loop-powered and universal isolators featuring linearisation, inversion, and scaling of output signals.



**Temperature** A wide selection of transmitters for DIN form B mounting and DIN rail modules with analogue and digital bus communication ranging from application-specific to universal transmitters.



**Universal** PC or front programmable modules with universal options for input, output and supply. This range offers a number of advanced features such as process calibration, linearisation and auto-diagnosis.





[www.preelectronics.fr](http://www.preelectronics.fr)  
[sales@preelectronics.fr](mailto:sales@preelectronics.fr)



[www.preelectronics.de](http://www.preelectronics.de)  
[sales@preelectronics.de](mailto:sales@preelectronics.de)



[www.preelectronics.es](http://www.preelectronics.es)  
[sales@preelectronics.es](mailto:sales@preelectronics.es)



[www.preelectronics.it](http://www.preelectronics.it)  
[sales@preelectronics.it](mailto:sales@preelectronics.it)



[www.preelectronics.se](http://www.preelectronics.se)  
[sales@preelectronics.se](mailto:sales@preelectronics.se)



[www.preelectronics.co.uk](http://www.preelectronics.co.uk)  
[sales@preelectronics.co.uk](mailto:sales@preelectronics.co.uk)



[www.preelectronics.com](http://www.preelectronics.com)  
[sales@preelectronics.com](mailto:sales@preelectronics.com)



[www.preelectronics.cn](http://www.preelectronics.cn)  
[sales@preelectronics.cn](mailto:sales@preelectronics.cn)

## Head office

Denmark  
PR electronics A/S  
Lerbakken 10  
DK-8410 Rønne

[www.preelectronics.com](http://www.preelectronics.com)  
[sales@preelectronics.dk](mailto:sales@preelectronics.dk)  
tel. +45 86 37 26 77  
fax +45 86 37 30 85



QUALITY SYSTEM AND ENVIRONMENTAL MANAGEMENT SYSTEM  
DS/EN ISO 9001  
DS/EN ISO 14001

