

ATEX Installation drawing 9203QA01 – V6R0

Warning: For safe installation of 9203 the following must be observed. The module shall only be installed by qualified personnel who are familiar with the national and international laws, directives and standards that apply to this area. Year of manufacture can be taken from the first two digits in the serial number.

Information: For installation in Zone 2 / Division 2 the following must be observed. The 4501 programming module is to be used solely with PRelectronics modules. It is important that the module is undamaged and has not been altered or modified in any way. Only 4501 modules free of dust and moisture shall be installed.

ATEX Certificate KEMA 07ATEX 0147 X

Marking 9203B II (1) G [Ex ia Ga] IIC/IB/IIA
II 3G Ex nA nC IIC T4 Gc
(1) D [Ex ia Da] IIC
(1M1) [Ex ia Ma] I

Marking 9203A II 3G Ex nA nC IIC T4 Gc

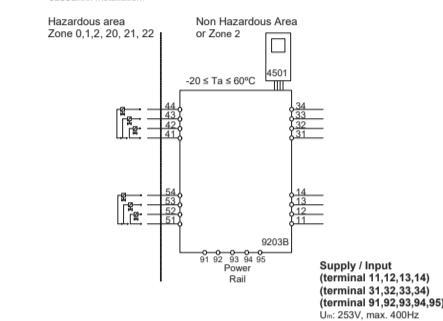
Standards EN 60079-0 : 2012, EN 60079-11 : 2012, EN 60079-15 : 2010

Type	Installation	Current Output	Channels	Input
9203	Non Ex / Zone 2	Low current :1	Single :A Double :B	Standard :- PNP :1
	Ex-Barrier / Zone 2	High current :2	Single :A	NPN :2

Installation notes:

Install in pollution degree 2, overvoltage category II as defined in EN60664-1
Do not separate connectors when energized and an explosive gas mixture is present.
Do not mount or remove modules from the Power Rail when an explosive gas mixture is present.
Disconnect power before servicing.
The wiring of unused terminals is not allowed.
In type of protection [Ex ia Da] the parameters for intrinsic safety for gas group IIB are applicable.
For installation in Zone 2, the module shall be installed in an enclosure in type of protection Ex n or Ex e, providing a degree of protection of at least IP54. Cable entry devices and blanking elements shall fulfill the same requirements.
For installation on Power Rail in Zone 2, only Power Rail type 9400 supplied by Power Control Unit type 9410 (Type Examination Certificate KEMA 07ATEX0152 X) is allowed.

9203Bxxx Installation:



Terminal (31,32)
Supply: Voltage 19.2 – 31.2 VDC, Power max. 3.5 W
Input: Voltage max 28VDC, Trig: NPN Low < 2V, High > 4V, PNP Low < 8V, High > 10V

Terminal (33,34)
Status Relay: Non Hazardous location Voltage max. 125 VAC / 110 VDC, Power max. 62.5 VA / 32 W, Current max. 0.5 AAC / 0.3 ADC
Zone 2 installation Voltage max. 32 VAC / 32 VDC, Power max. 16 VA / 32 W, Current max. 0.5 AAC / 1 ADC

IECEx Installation drawing 9203QI01-V6R0

Warning: For safe installation of 9203 the following must be observed. The module shall only be installed by qualified personnel who are familiar with the national and international laws, directives and standards that apply to this area. Year of manufacture can be taken from the first two digits in the serial number.

Information: For installation in Zone 2 / Division 2 the following must be observed. The 4501 programming module is to be used solely with PRelectronics modules. It is important that the module is undamaged and has not been altered or modified in any way. Only 4501 modules free of dust and moisture shall be installed.

IECEx Certificate IECEx KEM 09.0001X

Marking 9203Bxxx [Ex ia Ga] IIC/IB/IIA
Ex nA nC IIC T4 Gc
[Ex ia Da] IIC
[Ex ia Ma] I

Marking 9203Axxx Ex nA nC IIC T4 Gc

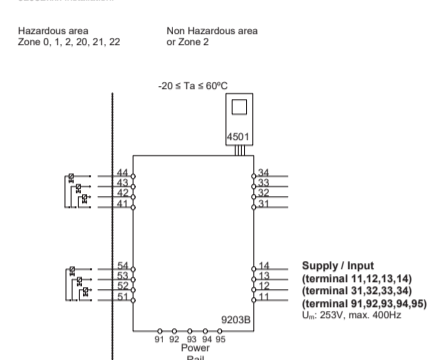
Standards IEC60079-15:2010, IEC60079-11:2011, IEC60079-0:2011

Type	Installation	Current Output	Channels	Input
9203	Non Ex / Zone 2	Low current :1	Single :A Double :B	Standard :- PNP :1
	Ex-Barrier / Zone 2	High current :2	Single :A	NPN :2

Installation notes:

Install in pollution degree 2, overvoltage category II as defined in IEC60664-1
Do not separate connectors when energized and an explosive gas mixture is present.
Do not mount or remove modules from the Power Rail when an explosive gas mixture is present.
Disconnect power before servicing.
The wiring of unused terminals is not allowed.
In type of protection [Ex ia Da] the parameters for intrinsic safety for gas group IIB are applicable.
For installation in Zone 2, the module shall be installed in an enclosure in type of protection Ex n or Ex e, providing a degree of protection of at least IP54. Cable entry devices and blanking elements shall fulfill the same requirements.
For installation on Power Rail in Zone 2, only Power Rail type 9400 supplied by Power Control Unit type 9410 (IECEx Certificate of Conformity IECEx KEM 08.0025X) is allowed.

9203Bxxx Installation:



Terminal (31,32)
Supply: Voltage 19.2 – 31.2 VDC, Power max. 3.5 W
Input: Voltage max 28VDC, Trig: NPN Low < 2V, High > 4V, PNP Low < 8V, High > 10V

Terminal (33,34)
Status Relay: Non Hazardous location Voltage max. 125 VAC / 110 VDC, Power max. 62.5 VA / 32 W, Current max. 0.5 AAC / 0.3 ADC
Zone 2 installation Voltage max. 32 VAC / 32 VDC, Power max. 16 VA / 32 W, Current max. 0.5 AAC / 1 ADC

FM Installation drawing 9203QF01 – V6R0

Warning: For safe installation of 9203 the following must be observed. The module shall only be installed by qualified personnel who are familiar with the national and international laws, directives and standards that apply to this area. Year of manufacture can be taken from the first two digits in the serial number.

Information: For installation in Zone 2 / Division 2 the following must be observed. The 4501 programming module is to be used solely with PRelectronics modules. It is important that the module is undamaged and has not been altered or modified in any way. Only 4501 modules free of dust and moisture shall be installed.

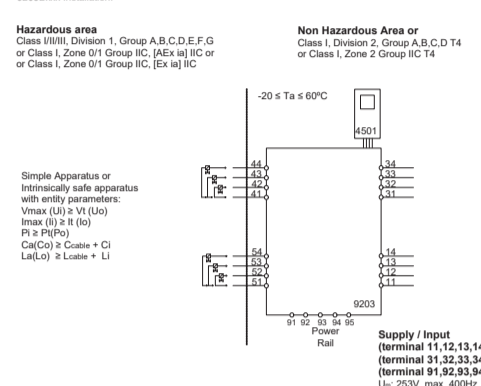
c-FM-US Certificate 3035277

Type	Installation	Current Output	Channels	Input
9203	Non Ex / Zone 2	Low current :1	Single :A Double :B	Standard :- PNP :1
	Ex-Barrier / Zone 2	High current :2	Single :A	NPN :2

Installation notes:

The installation and wiring shall be in accordance with the Canadian Electrical Code for Canada and National Electrical Code NFPA 70, Article 500 or 505 for installation in USA.
The module must be supplied from a Power Supply having double or reinforced insulation.
The use of stranded wires is not permitted for mains wiring except when wires are filled with cable ends.
For installation on the 9400 Power Rail the power must be supplied from Power Control Module Unit 9410.
Install in pollution degree 2, overvoltage category II.
The module must be installed in an enclosure suitable for the environment for which it is used.
For installation in Zone 2 or Division 2, the module must be installed in a suitable outer enclosure according to the regulations in the CEC for Canada or NEC for USA.
The module is galvanically isolated and does not require grounding.
Use 60 / 75 °C copper conductors with wire size AWG: (25-14).
The maximum internal Power dissipation for adjacent modules is assumed to be max. 2W each.
Warning: Substitution of components may impair intrinsic safety and / or suitability for Div. 2 / Zone 2.
Warning: To prevent ignition of explosive atmospheres, disconnect power before servicing and do not separate connectors when energized and an explosive gas mixture is present.
Warning: Do not mount or remove modules from the Power Rail when an explosive gas mixture is present.

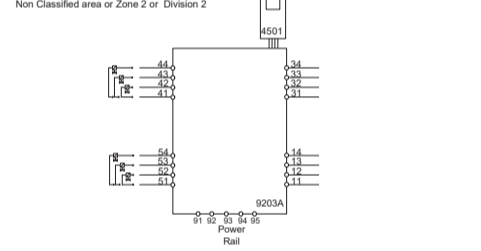
9203Bxxx Installation:



Terminal (31,32)
Supply: Voltage 19.2 – 31.2 VDC, Power max. 3.5 W
Input: Voltage max 28VDC, Trig: NPN Low < 2V, High > 4V, PNP Low < 8V, High > 10V

Terminal (33,34)
Status Relay: Non Hazardous location Voltage max. 125 VAC / 110 VDC, Power max. 62.5 VA / 32 W, Current max. 0.5 AAC / 0.3 ADC
Division 2 or Zone 2 installation Voltage max. 32 VAC / 32 VDC, Power max. 16 VA / 32 W, Current max. 0.5 AAC / 1 ADC

9203Axxx Installation:



Terminal (31,32)
Supply: Voltage 19.2 – 31.2 VDC, Power max. 3.5 W
Input: Voltage max 28VDC, Trig: NPN Low < 2V, High > 4V, PNP Low < 8V, High > 10V

Terminal (33,34)
Status Relay: Non Hazardous location Voltage max. 125 VAC / 110 VDC, Power max. 62.5 VA / 32 W, Current max. 0.5 AAC / 0.3 ADC
Zone 2 installation Voltage max. 32 VAC / 32 VDC, Power max. 16 VA / 32 W, Current max. 0.5 AAC / 1 ADC

INMETRO Desenhos para Instalação 9203QB01-V7R0

Warning: Para instalação segura do 9203B o manual seguinte deve ser observado. O módulo deve ser instalado somente por profissionais qualificados que estão familiarizados com as leis nacionais e internacionais, diretivas e normas que se aplicam a esta área. Ano de fabricação pode ser obtido a partir dos dois primeiros dígitos do número de série.

Information: Para a instalação na Zona 2 o seguinte deve ser observado. O módulo de programação de 4501, deve ser utilizado apenas com os módulos PRelectronics. É importante que o módulo esteja intacto e não tenha sido alterado ou modificado de qualquer maneira. Apenas os módulos 4501 livres de poeira e umidade devem ser instalados.

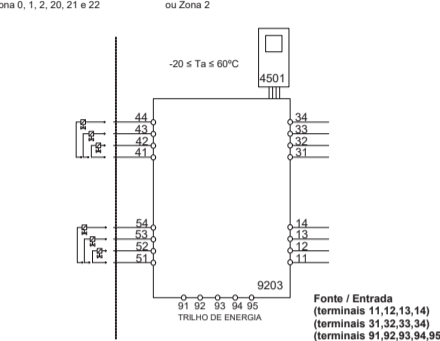
INMETRO Certificado DEKRA 16.0006X
Marcas 9203Bxxx [Ex ia Ga] IIC/IB/IIA
Ex nA nC IIC T4 Gc
[Ex ia Da] IIC
[Ex ia Ma] I
Normas: ABNT NBR IEC 60079-0:2013, ABNT NBR IEC60079-11:2013, ABNT NBR IEC60079-15:2012

Tipo	Instalação	Saída	Canais	Entrada
9203	Barreira Ex / Zona 2	Corrente baixa :1	Simplex :A	Estandarte :-
			Duplo :B	PNP :1
		Corrente alta :2	Simplex :A	NPN :2

Notas de instalação:

Instalação em grau de poluição 2, categoria de sobretensão II conforme definido no IEC 60664-1.
Os circuitos não intrinsecamente seguros só podem ser conectados para sobretensão limitada ao categoria III como definido no IEC 60664-1.
Não separe conectores quando energizado ou quando uma mistura de gás explosivo estiver presente. Não monte ou remova módulos do trilho de alimentação quando uma mistura de gás explosivo estiver presente. Para o grupo I (mas), aplicam-se os parâmetros do grupo IIA.
Desligue a alimentação antes da manutenção. A ligação de terminais sem uso não é permitida. A fonte de Loop e terminais de entrada de corrente para o mesmo canal não deve ser aplicada ao mesmo tempo.
Em tipo de proteção [Ex ia Da] os parâmetros para a segurança intrínseca para grupo de gás IIB são aplicáveis.
Para a instalação em Zona 2, o módulo deve ser instalado em um invólucro conformidade com o tipo de proteção Ex n ou Ex e, fornecendo no mínimo grau de proteção IP54.
Dispositivos de entrada de cabo e elementos de vedação devem cumprir com os mesmos requisitos.
Para a instalação de trilho de energia na Zona 2, apenas o trilho de alimentação Rail 9400 fornecido pela Unidade de Controle de Potência 9410 é permitido.

Área de classificação

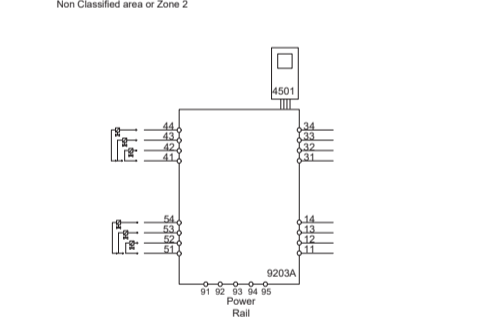


Terminal (31,32)
Fonte: Voltage 19.2 – 31.2 VDC, Potência máx. 3.5 W
Entrada: Voltagem máx. 28VDC, Galhho: NPN Baixo < 2V, Alto > 4V, Galhho: PNP Baixo < 8V, Alto > 10V

Terminal (33,34)
Relé de Estado: Área de não classificada Voltage máx. 125 VAC / 110 VDC, Potência máx. 62.5 VA / 32 W, Corrente máx. 0.5 AAC / 0.3 ADC
Instalação Zona 2 Voltage máx. 32 VAC / 32 VDC, Potência máx. 16 VA / 32 W, Current máx. 0.5 AAC / 1 ADC

9203B1A, 9203B1B Terminal 41-42/51-52	Co	Lo	Lo/Ro	9203B2A Terminal 41-42	Co	Lo	Lo/Ro				
Uo	28V	IIC	80nF	4.2mH	54µH/Q	Uo	28V	IIC	80nF	2.69mH	44µH/Q
Io	93 mA	IIB	640nF	16.8mH	218µH/Q	Io	115mA	IIB	640nF	10.8mH	176µH/Q
Po	0.65W	IIA	2.1µF	32.6mH	436µH/Q	Po	0.81W	IIA	2.1µF	20.8mH	353µH/Q
	I	3.76µF	32.6mH	436µH/Q		I	3.76µF	20.8mH	353µH/Q		

9203Axxx Installation:



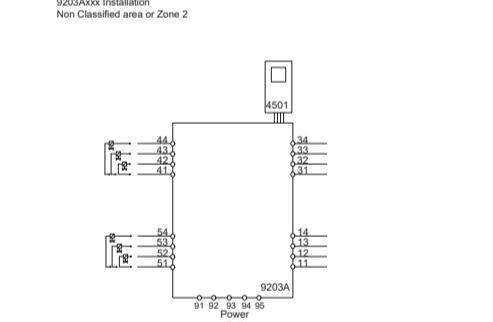
Terminal (31,32)
Supply: Voltage 19.2 – 31.2 VDC, Power max. 3.5 W
Input: Voltage max 28VDC, Trig: NPN Low < 2V, High > 4V, PNP Low < 8V, High > 10V

Terminal (33,34)
Status Relay: Non Hazardous location Voltage max. 125 VAC / 110 VDC, Power max. 62.5 VA / 32 W, Current max. 0.5 AAC / 0.3 ADC
Zone 2 installation Voltage max. 32 VAC / 32 VDC, Power max. 16 VA / 32 W, Current max. 0.5 AAC / 1 ADC

Terminal (41,44 / 51,54)
Umax 28 V
Imax 135 mA
Pmax 0.95 W

9203B1A, 9203B1B Terminal 41-42/51-52	Co	Lo	Lo/Ro	9203B2A Terminal 41-42	Co	Lo	Lo/Ro				
Uo	28V	IIC	80nF	4.2mH	54µH/Q	Uo	28V	IIC	80nF	2.69mH	44µH/Q
Io	93 mA	IIB	640nF	16.8mH	218µH/Q	Io	115mA	IIB	640nF	10.8mH	176µH/Q
Po	0.65W	IIA	2.1µF	32.6mH	436µH/Q	Po	0.81W	IIA	2.1µF	20.8mH	353µH/Q
	I	3.76µF	32.6mH	436µH/Q		I	3.76µF	20.8mH	353µH/Q		

9203Axxx Installation:



Terminal (31,32)
Supply: Voltage 19.2 – 31.2 VDC, Power max. 3.5 W
Input: Voltage max 28VDC, Trig: NPN Low < 2V, High > 4V, PNP Low < 8V, High > 10V

Terminal (33,34)
Status Relay: Non Hazardous location Voltage max. 125 VAC / 110 VDC, Power max. 62.5 VA / 32 W, Current max. 0.5 AAC / 0.3 ADC
Zone 2 installation Voltage max. 32 VAC / 32 VDC, Power max. 16 VA / 32 W, Current max. 0.5 AAC / 1 ADC

Terminal (41,44 / 51,54)
Umax 28 V
Imax 135 mA
Pmax 0.95 W